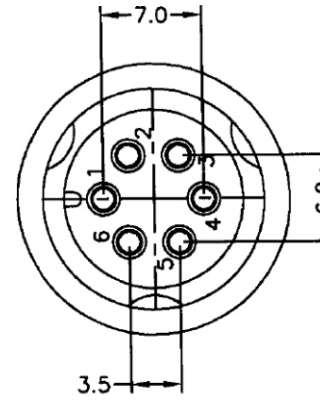
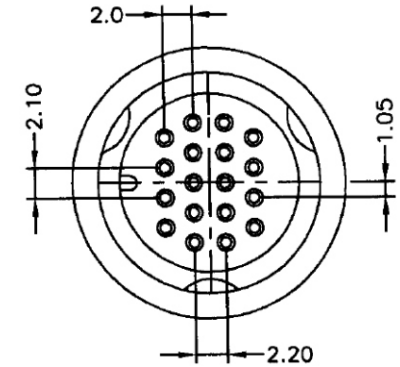


2P~3P



4P~6P



7P~18P

MATERIAL
 Insulator: NYLON66 UL94V-0 +25%GF Black
 Contact: Brass
 Plating Code: Gold flash over nickel plated
 Optional Plating available but MOQ requested

SPECIFICATIONS
 Current Rating:
 2P~3P: 12A AC, DC
 4P~6P: 5A AC, DC
 7P~18P: 2A AC, DC

CIRCUITS	2P	3P	4P	6P	2+5P	18P
ARRANGEMENT OF CONTACT						
P/N	W12-SS-02	W12-SS-03	W12-SS-04	W12-SS-06	W12-SS-07	W12-SS-18

W12-SS-xx-LF
 LEADFREE
 RoHS Compliant

MORETHANALL
 CONNECTORS
 ASSEMBLIES

PART NO. W12-SS-xx		CHECKED BY CY		TOLERANCES ARE .X ± 0.2 .XX ± .XXX ± AWG	DESCRIPTION:		
DWG NO. W12-SS-xx		DRAWING BY					
FILE NO.		PROJECTION		AREA	REVISIONS	HK	DATE

焯倫股份有限公司

UNIT / mm

SCALE 1:1