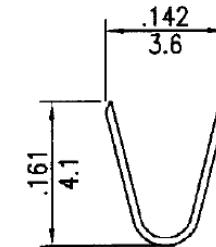
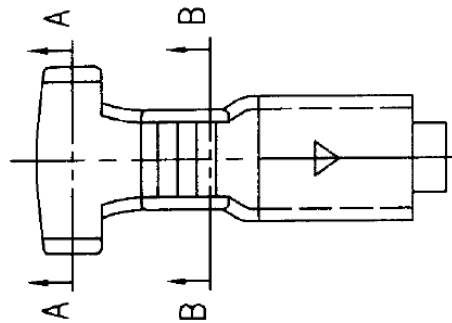
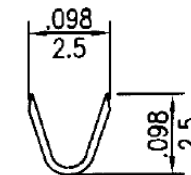
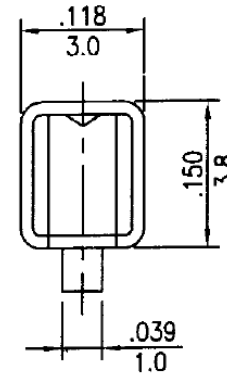
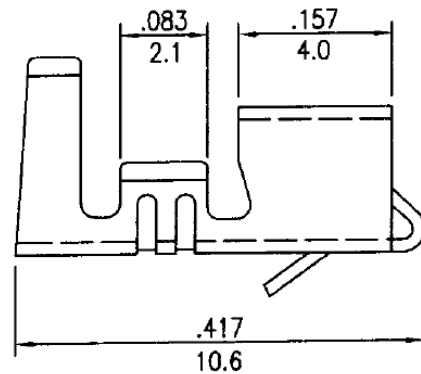


- * Material:Brass
- * Finished:Tin-plated
- * Wire range:AWG#18~#24
- * Insulation O.D:2.80mm(max)
- * Thickness:0.25mm

inches
mm



A-A SECTION



B-B SECTION

RoHS Compliant

TOLERANCES ARE

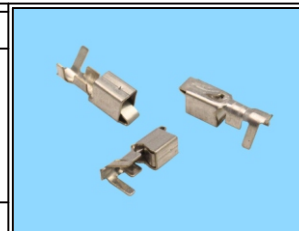
MORETHANALL
PCB CONNECTORS
Cable ASSEMBLIES

煜倫股份有限公司

www.morethanall.com

DRAWING BY CY	
CHECKED BY GENIUS	
UNIT / mm	SCALE 1 : 1
DATE	
SIZE A4	PPOJECTION

X, ±
.X ±
.XX ±
.XXX ±
ANG ±



ORDER INFORMATION

VH-T1-18-LF
SERIES | LEADFREE
| 18-24 AWG
| CUT WITH 1PCS
TERMINAL

DESCRIPTION: