

**PCB LAYOUT**

**SPECIFICATIONS**

**Electrical:**

1. Rating: 30V , 1.5A

1. Contact Resistance: 30 mΩ Max

2. Insulation Resistance: 1,000 MΩ Min

3. Dielectric Withstanding Voltage: 750V AC

5. Mating Force: 35N Max

6. Umating Force: 10N Min

**Material:**

1. Housing: PBT

2. Contact: Phosphor Bronze

3. Shell: Brass / Spcc

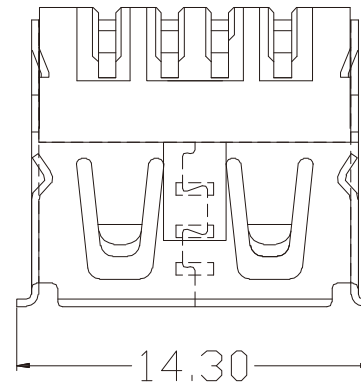
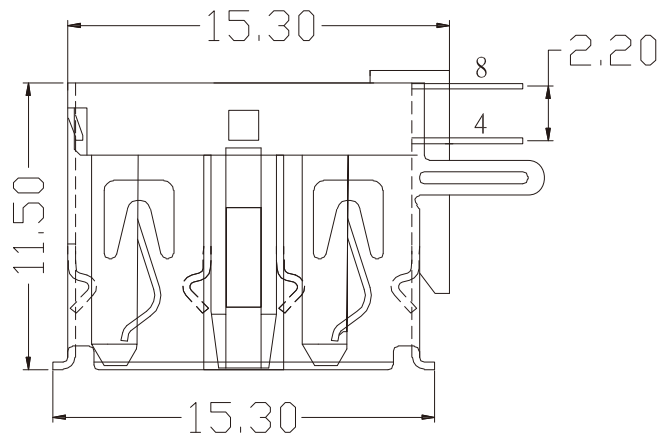
**Finish:**

1. Contact: Plated Gold in Mating Area ;

Tin Plated on Solder Balls ;

Nickel under plated overall

2. Shell: Nickel under Plated surface layer



**RoHS Compliant**

TOLERANCES ARE



**煜倫股份有限公司**

www.morethanall.com

DRAWING BY CY

CHECKED BY GENIUS

UNIT / mm

SCALE 1 : 1

DATE

SIZE A4

PPOJECTION

Up to 5 ±0.2  
Above 5 ~ 15 ±0.3  
Above 15 ~ 30 ±0.4  
Above 30 ~ 50 ±0.5  
Angle ±0.3°

照片框

**ORDER INFORMATION**

**USB1-FRXcc115-4A-LF**

SERIES | | | | LEADFREE  
FEMALE | | | | 4 PIN A TYPE  
DIP 90° | | | | LONG 11.5mm  
NON SPRING | | | | BK:BLACK  
WH:WHITE

DESCRIPTION: USB A/F 雙層短體90度, 11.5 有捲邊