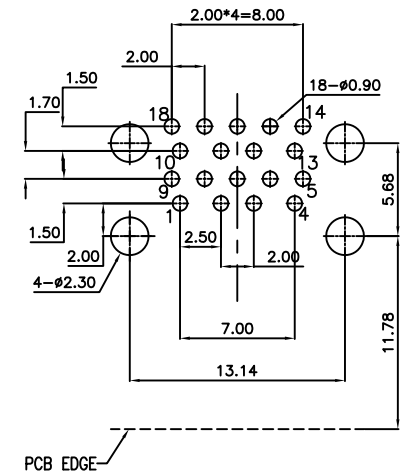


NO.	NAME	MATERIAL	FINISH
1	HOUSING	High-Thermoplastic	
2	Cover	High-Thermoplastic	
3	Insert 1	High-Thermoplastic	
4	Insert 2	High-Thermoplastic	
5	TERMINAL1	Copper Alloy	Gold & Matte Tin Plated
6	TERMINAL2	Copper Alloy	Gold & Matte Tin Plated
7	TERMINAL3	Copper Alloy	Gold & Matte Tin Plated
8	TERMINAL4	Copper Alloy	Gold & Matte Tin Plated
9	Front Shell	Alloy	NI Plated
10	Middle Shell	Alloy	
11	Rear Shell	Alloy	



RECOMMENDED PCB LAYOUT
TOP VIEW
TOLERANCE: ±0.05mm
PCB THICKNESS: 1.60±0.05mm

RoHS Compliant

TOLERANCES ARE

MORETHANALL
PCB CONNECTORS
Cable ASSEMBLIES

煜倫股份有限公司

www.morethanall.com

DRAWING BY CY

CHECKED BY GENIUS

UNIT / mm SCALE 1 : 1

DATE

SIZE A4

X, ±
 .X ± 0.25
 .XX ± 0.15
 .XXX ± 0.075
 ANG ±

PJECTION

照片框

ORDER INFORMATION

USB1-FRX11BLS30-9A-LF

SERIES LEADFREE
 9 PIN A TYPE
 SEMI GOLD 30u"
 FEMALE BLUE
 DIP 90° 11.78mm
 NON SPRING

DESCRIPTION: USB 3.0 A TYPE