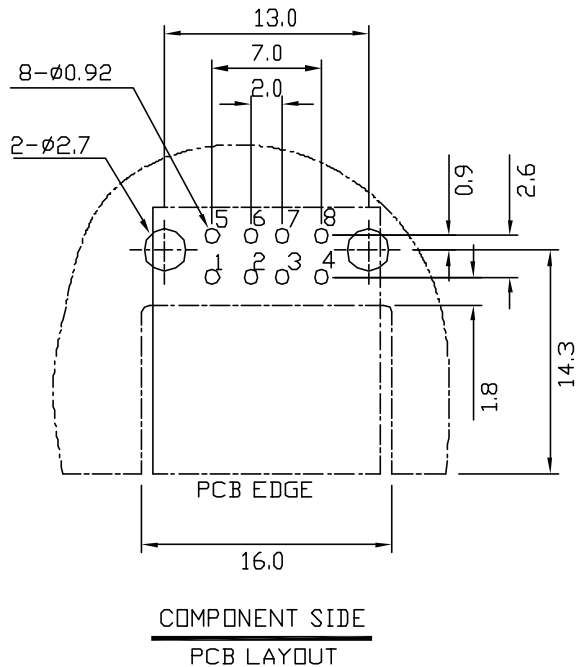
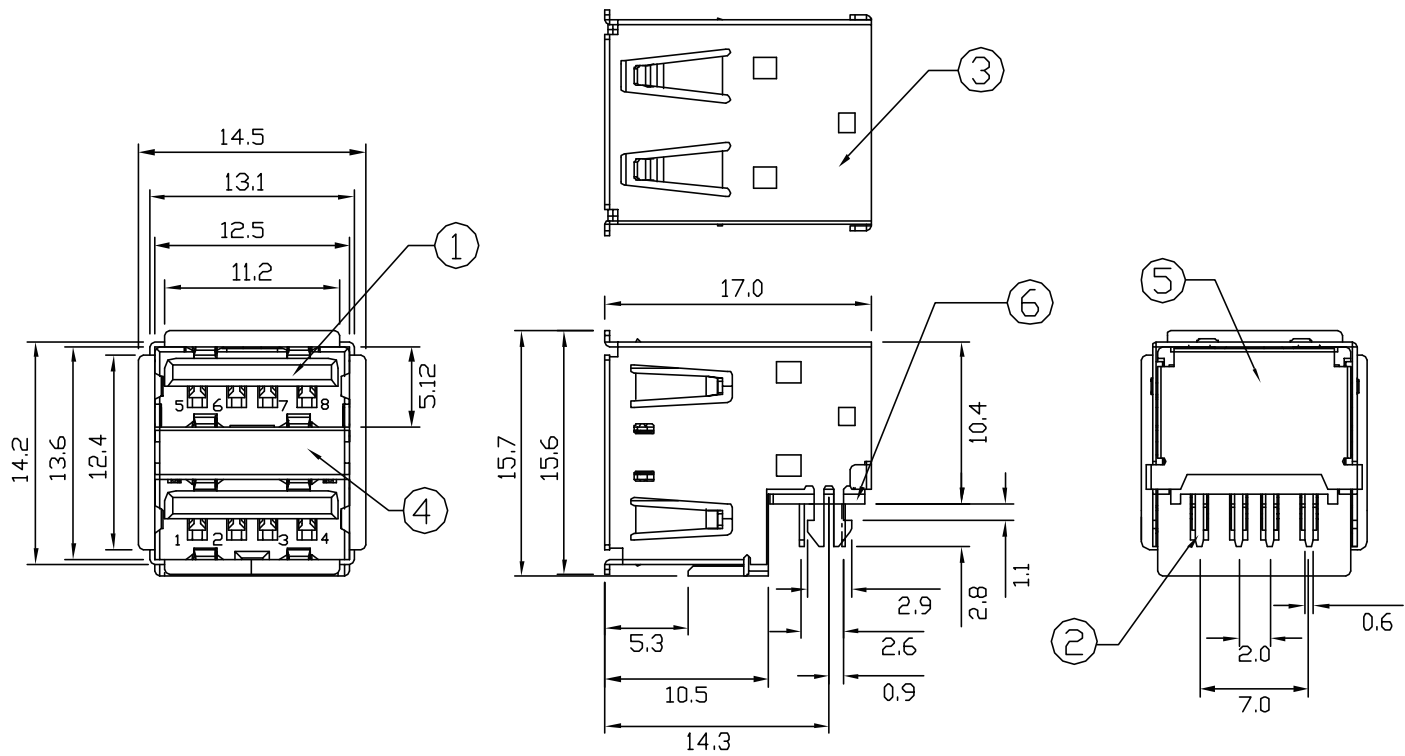


NO.	NAME	MATERIAL	FINISH	Q'TY	REMARK
1	HOUSING	PBT G.F.	WHITE	1	
2	PIN TERM.	PHOS. BRONZE	GOLD-TIN PLATED	8	Gold:30u", NI:40~60u", TIN:120u" (100% pure Tin of lead free plating)
3	SHELL	BRASS,0.3mm	NICKEL PLATED	1	NI:80~120u"
4	SHELL	BRASS,0.3mm	NICKEL PLATED	1	NI:80~120u"
5	SHELL	SPCC,0.3mm	NICKEL PLATED	1	NI:80~120u"
6	BOTTOM COVER	PBT G.F.	WHITE	1	



RoHS Compliant

TOLERANCES ARE

MORETHANALL
PCB CONNECTORS
Cable ASSEMBLIES

DRAWING BY CY

X.±

CHECKED BY GENIUS

.X±

UNIT / mm

SCALE 1 : 1

.XX±

DATE

.XXX±

ANG±

SIZE A4

PJECTION

照片框

ORDER INFORMATION

USBB1-FRFS30-4A-LF

SERIES

LEADFREE
4 PIN A TYPE
SEMI GOLD 30U"
OFFSET
DIP 90°
FEMALE

DESCRIPTION:

煜倫股份有限公司

www.morethanall.com