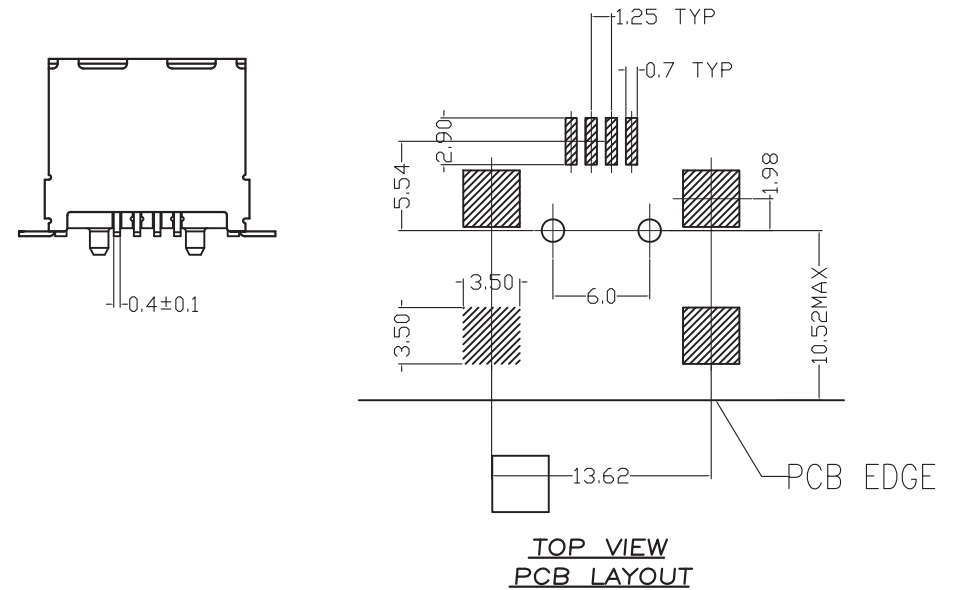


NOTE:

- 1.MATERIAL
  - 1-1 CONTACT: PHOSPHORUS COPPER
  - 1-2 HOUSING: LCP
  - 1-3 SHELL: K7
- 2.PLATING
  - 2-1 CONTACT: GOLD FLASH&TIN
  - 2-2 SHELL: TIN



**RoHS Compliant**

TOLERANCES ARE

**MORETHANALL**  
PCB CONNECTORS  
Cable ASSEMBLIES

DRAWING BY CY

X.±

CHECKED BY GENIUS

.X±

UNIT / mm

SCALE 1 : 1

.XXX±

DATE

ANG±

照片框

**ORDER INFORMATION**

**USB-SWxxR-4B-LF**  
SERIES | | | LEADFREE  
| | | 4 PIN B TYPE  
| | | REEL  
FEMALE | | BK:BLACK  
| | | WH:WHITE  
90°SMT

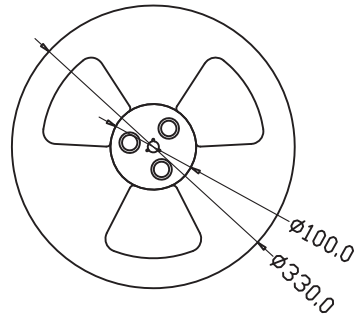
**煜倫股份有限公司**

[www.morethanall.com](http://www.morethanall.com)

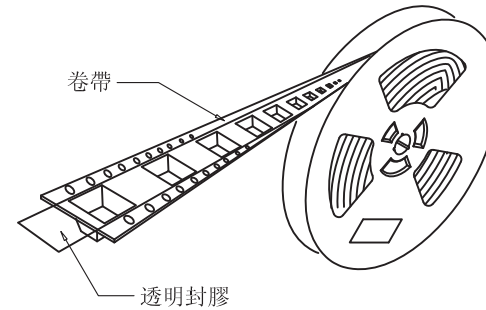
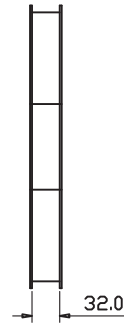
SIZE A4

PJECTION

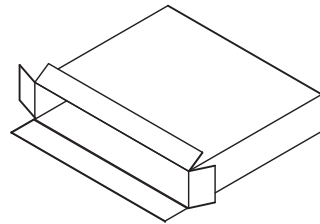
DESCRIPTION: USB B(F)90度 SMT



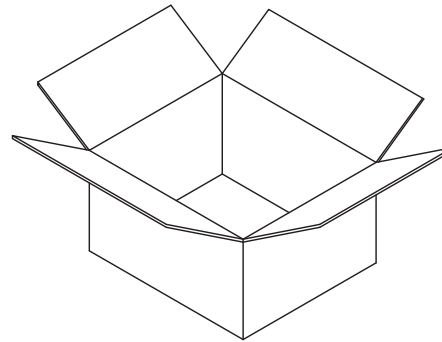
卷帶盤 (圖一)



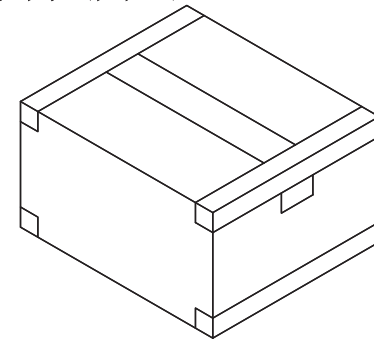
卷裝圖示 (圖二)



未封好  
內紙箱  
(圖三)



未封好  
外紙箱  
(圖四)



封好外  
紙箱  
(圖五)

包裝說明:

1. 每卷帶盤裝200PCS,不可少數,成品在盤內不可活動,裝好後使用自動卷裝機粘合上透明封膠. 如圖(一,二)所示. 卷帶盤規格為 $\phi 330.0 \times 36.0$ MM.
2. 將裝好的卷帶盤放入內紙箱內,每個內紙箱放2盤,用透明膠密封,再將封裝好的內紙箱放入外紙箱中,每個外紙箱放6個內紙箱,共有產品2.4K,最後用透明膠密封外紙箱. 如圖(三,四,五)所示.
3. 紙箱外貼上環保標籤,合格標籤,產品規格說明,並且貼在外箱側面的箱面規格說明的右上方(僅貼一側)
3. 包裝材料: (ZX021,ZX004,RR004,ZD002,JPL008,GZ001).

RoHS Compliant

TOLERANCES ARE

**MORETHANALL**  
PCB CONNECTORS  
Cable ASSEMBLIES

煜倫股份有限公司

www.morethanall.com

DRAWING BY CY

CHECKED BY GENIUS

UNIT / mm

SCALE 1:1

DATE

SIZE A4

X,  $\pm$

.X,  $\pm$

.XX,  $\pm$

.XXX,  $\pm$

ANG,  $\pm$

PPOJECTION

照片框

ORDER INFORMATION

USB-SWxxR-4B-LF  
SERIES | | | LEADFREE  
| | | 4 PIN B TYPE  
| | | REEL  
FEMALE | | BK:BLACK  
| | | WH:WHITE  
90°SMT

DESCRIPTION: USB B(F)90度 SMT