

Note:

1.Material:

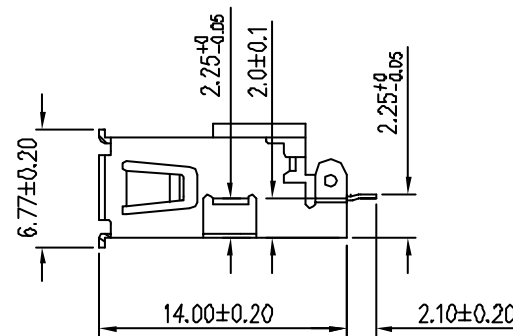
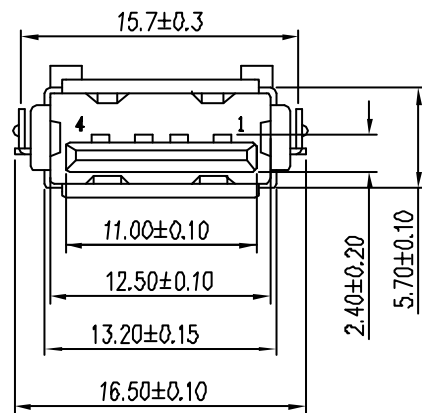
- 1.1 Insulator: PBT OR L.C.P UL 94-V0 rated.
- 1.2 Contact: Phosphor bronze, t=0.25mm.
- 1.3 Shell: Copper alloy, t=0.30mm.

2.Specification:

- 2.1 Current rating: 1 A Max.
- 2.2 Dielectric withstanding voltage: 500 V(ac) for 1 min.
- 2.3 Contact resistance: 30 mΩ Max.
- 2.4 Insulation resistance: 1000 MΩ Min at DC 500V.
- 2.5 Total mating force: 3.57 Kgf Max.
- 2.6 Total unmating force: 1.02 Kgf Min.
- 2.7 Temperature range: -55°C~+105°C

3.Finishes:

- 3.1 contacts: Gold flashed 30u".
- 3.2 Shell: Nickel, tin or gold plated



3	Shell	1	Copper alloy	T=0.30mm	Nickel Plated
2	Contact	4	Phosphor Bronze	T=0.25mm	Gold flashed
1	Housing	1	LCP OR PBT	UL 94-V0	Black or White
No.	Part Name	Qty	Material	Remarks & Thickness	Finish

RoHS Compliant

TOLERANCES ARE

MORETHANALL
PCB CONNECTORS
Cable ASSEMBLIES

DRAWING BY CY

X, ±

CHECKED BY GENIUS

.X ±

UNIT / mm

SCALE 1 : 1

.XXX ±

DATE

ANG ±

煜倫股份有限公司

www.morethanall.com

SIZE A4

PJECTION

照片框

ORDER INFORMATION

USB-SWF22xx-4A-LF
SERIES | | | LEADFREE
| | | 4 PIN A TYPE
FEMALE | | | BK:BLACK
| | | WH:WHITE
| | | OFFSET 2.25mm
| | | 90°SMT

DESCRIPTION: