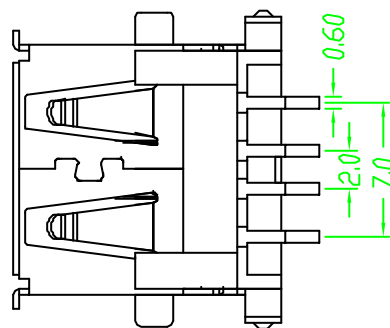


**Specification:**

Contact Resistance: 30m Ohm Max.  
 Insulation Resistance: 1000M Ohm Min. At 500VDC.  
 Rated Voltage And Current: 1.5A At 250VAC Minimum.  
 Dielectric Withstanding Voltage:  
 750V AC (rms) for 1 Minute(Rev. 1.1)  
 Durability (Life Test): 1500 Cycles  
 Insertion Force: 35 Newton Maximum.  
 Extraction Force: 10 Newton Minimum.



**PACKING STYLE: TAPE REELING**

NO.	NAME	MATERIAL	FINISH	Q'TY	REMARK
1	HOUSING	NYLON PA9T G.F.	BLACK	1	
2	TERMINAL	PHOS. BRONZE T:0.25	GOLD/TIN PLATED	4	Gold:1~3u"; Ni:40~60u"; TIN:120u" (100% pure Tin of lead free plating)
3	SHELL	STAINLESS T: 0.3	NICKEL PLATED	1	Ni:50u"MINIMUM.
4	MYLAR TAPE	MYLAR	YELLOW	1	

**RoHS Compliant**



煜倫股份有限公司

www.morethanall.com

DRAWING BY CY

CHECKED BY GENIUS

UNIT / mm SCALE 1 : 1

DATE

SIZE A4

TOLERANCES ARE

X. ± 0.38

.X ± 0.25

.XX ± 0.13

.XXX ± 0.05

ANG ±

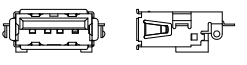
PJECTION

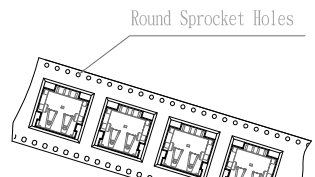
照片框

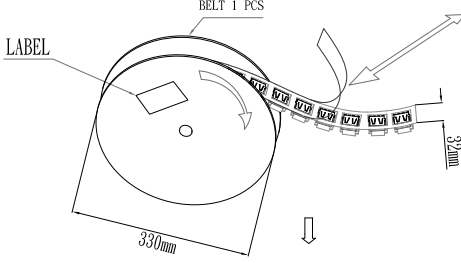
**ORDER INFORMATION**

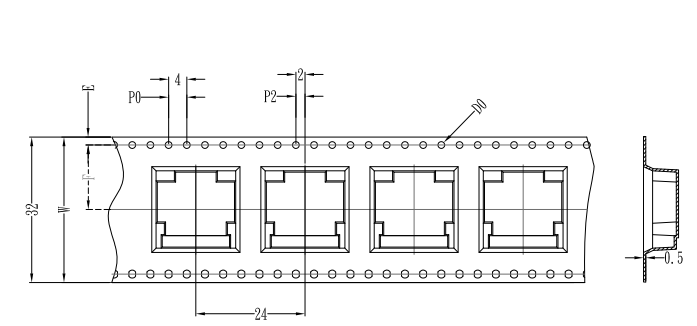
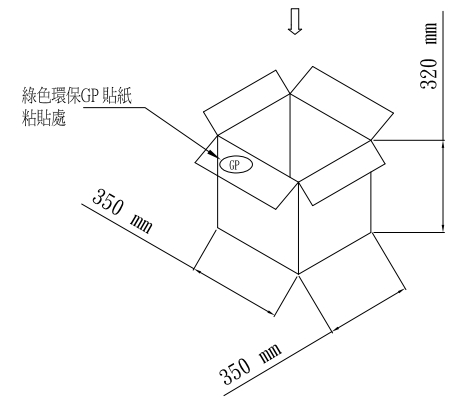
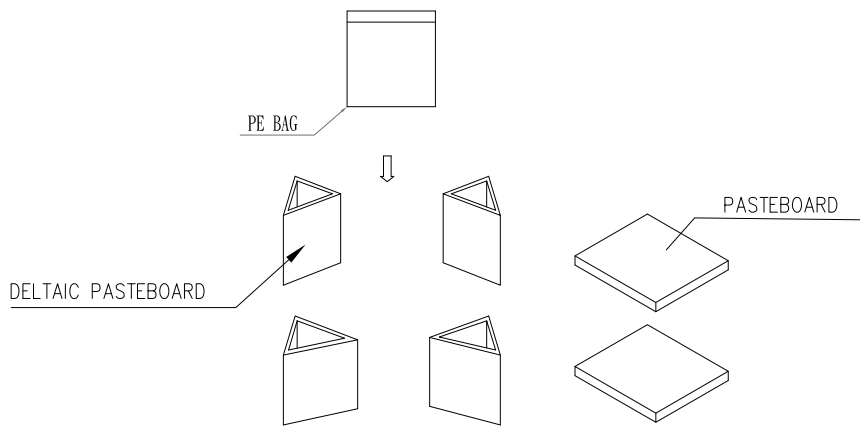
USB-SWF22BKCR-4A-LF  
 SERIES | LEADFREE  
 FEMALE | REEL | 4 PIN A TYPE  
 90°SMT | BLACK | MYLAR  
 OFFSET 2.25mm

DESCRIPTION: USB A TYPE FLAT 4 PIN SMT

(1)  (1). 1pcs=1.61g

(2)  (2). PACKING MATERIAL(包裝材料): BELT 1 SET  
WEIGHT(重量): 563.5g  
QUANTITY(規格): 350PCS


(3)  (3). PACKING MATERIAL(包裝材料): PE BAG(PE袋) 1 PCS  
BELT 8 SET  
CARTON(紙箱)1 PCS  
WEIGHT(重量): NET(淨重) 4.6 kgs  
GROSS(毛重) 9.3kgs  
QUANTITY(規格): 350\*8=2800PCS



**RoHS Compliant**

TOLERANCES ARE

**MORETHANALL**  
PCB CONNECTORS  
Cable ASSEMBLIES  
**煜倫股份有限公司**  
www.morethanall.com

DRAWING BY CY		X, ± .X ± .XX ± .XXX ± ANG ±
CHECKED BY GENIUS		
UNIT / mm	SCALE 1 : 1	
DATE		
SIZE A4	PJECTION	



**ORDER INFORMATION**

USB-SWF22BKCR-4A-LF  
SERIES | LEADFREE  
FEMALE | REEL  
90°SMT | MYLAR  
BLACK | 4 PIN A TYPE  
OFFSET 2.25mm

DESCRIPTION: