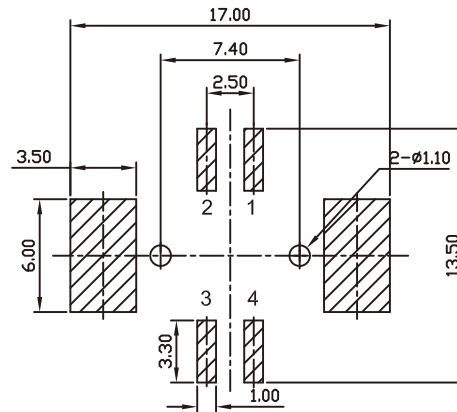
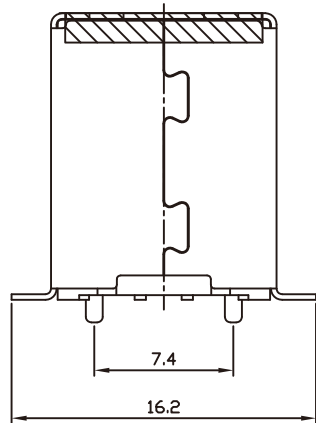
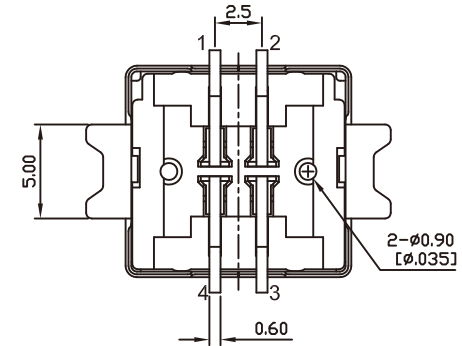
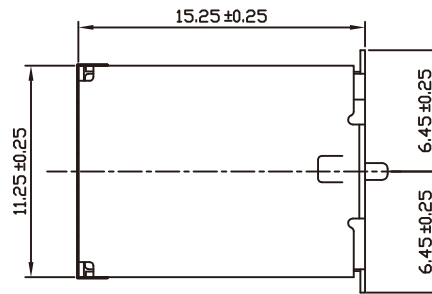
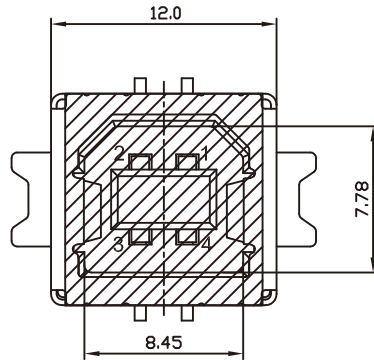
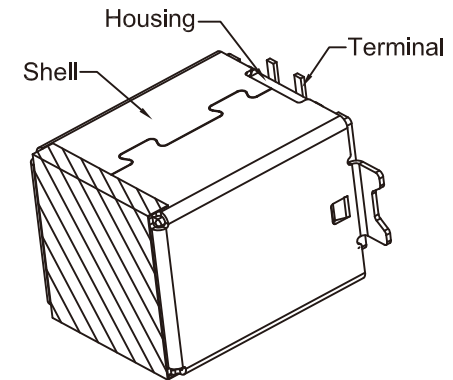


NO.	NAME	MATERIAL	FINISH
1	Housing	High-Thermoplastic	
2	Terminal	Copper Alloy	Gold-Tin Plated
3	Shell	Copper Alloy	Ni Plated



RECOMMENDED PCB LAYOUT  
TOP VIEW  
TOLERANCE: ±0.05mm  
PCB THICKNESS: 1.60 ± 0.05mm



RoHS Compliant

TOLERANCES ARE

**MORETHANALL**  
PCB CONNECTORS  
Cable ASSEMBLIES

DRAWING BY CY

X. ± 0.30

CHECKED BY GENIUS

.X ± 0.25

UNIT / mm

SCALE 1 : 1

.XX ± 0.15

.XXX ± 0.075

DATE

ANG ±

照片框

ORDER INFORMATION

USB-SVxxC-4B-LF  
SERIES | | | | LEADFREE  
FEMALE | | | | 4 PIN B TYPE  
180° SMT BK:BLACK  
WH:WHITE

煜倫股份有限公司

www.morethanall.com

SIZE A4

PJECTION

DESCRIPTION: USB , Type B , Receptacle , Vertical , Single , SMT