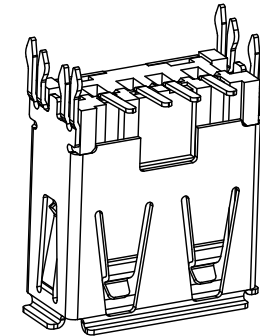
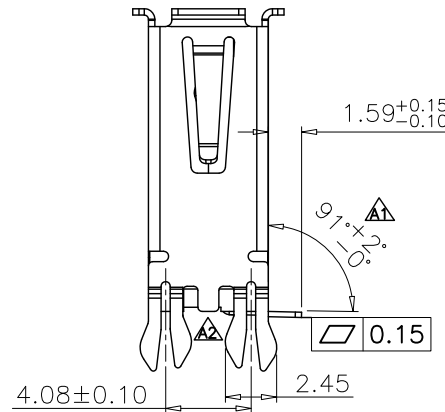
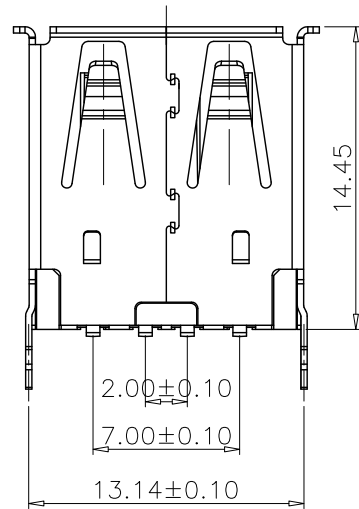


NOTES:
 MATERIAL
 INSULATOR:LCP UL 94V-0 BLACK
 SHELL:BRASS;T=0.30±0.02mm
 CONTACT:Phosphor Bronze;T=0.25±0.02mm
 SHELL:NICKEL 50U" OVER ALL PLATING
 CONTACT PLATING: GOLD FLASH AND Tinned 100U"
 OVER NICKEL 50U" PLATED
 MECHANICAL:
 MATING:35N(3.43kgf) MAX
 WITHDRAWAL FORCE:10N(0.98kgf) MIN
 CURRENT RATING: 1.5A;
 VOLTAGE RATING: 30V;
 CONTACT RESISTANCE: 30mΩ MAX.
 INSULATION RESISTANCE:1000MΩ MIN 500V DC.
 DIELECTRIC WITHSTANDING VOLTAGE:500V AC
 OPERATING TEMPERATURE: -30°C~60°C.
 STORAGE TEMPERATURE: -40°C~85°C.



RoHS Compliant

TOLERANCES ARE

MORETHANALL
PCB CONNECTORS
Cable ASSEMBLIES

DRAWING BY CY

CHECKED BY GENIUS

UNIT / mm

SCALE 1 : 1

DATE

SIZE A4

X, ±
 X, ± 0.35
 .XX ± 0.25
 .XXX ± 0.15
 ANG ±

照片框

PJECTION

ORDER INFORMATION

USB-SVZ2BKS15-4A-LF
 SERIES | | | | LEADFREE
 FEMALE | | | | 4 PIN A TYPE
 CLIP | | | | SEMI GOLD 15u"
 180°SMT

煜倫股份有限公司

www.morethanall.com

DESCRIPTION: USB 2.0 FEMALE 直立式90度魚叉成品