

NOTES:

- MATERIAL:  
MOLDING: LCP UL94 V-0  
CONTACT: COPPER ALLOY.  
GOLD PLATING ALL OVER 50u" Min NICKEL  
AND 100u" Min Tin ALL OVER 50u" Min NICKEL  
ON SOLDER AREA  
SHELL: SUS304-H,T=0.30±0.03mm  
50u" NICKEL PLATING OVER ALL.
- MECHANICAL:  
INSERTION: 5~20N.  
EXTRACTION: 8~20N AFTER TEST .  
DURABILITY: 10000 CYCLES
- ELECTRICAL:  
CURRENT: 5A FOR VBUS;  
1.25A FOR GND PIN.  
0.25A FOR OTHER.  
VOLTAGE: 20 V MAX  
WITHSTANDING VOLTAGE: 100V AC R.M.S  
CONTACT RESISTANCE: 40mΩ MAX.  
INSULATION RESISTANCE: 100MΩ MIN.
- ENVIRONMENTAL  
TEMPERATURE RANGE -55°C ~ +85°C

RoHS Compliant

TOLERANCES ARE

**MORETHANALL**  
PCB CONNECTORS  
Cable ASSEMBLIES

DRAWING BY CY

X. ± 0.40

CHECKED BY GENIUS

.X ± 0.30

UNIT / mm SCALE 1 : 1

.XX ± 0.20

DATE

.XXX ±

ANG ± 2°

SIZE A4

PJECTION

照片框

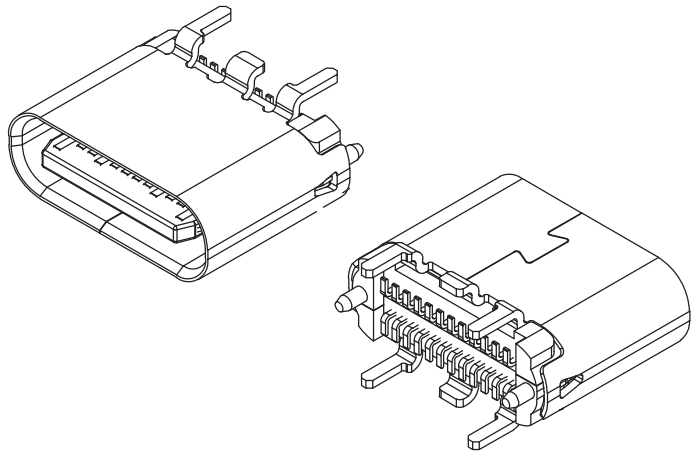
ORDER INFORMATION

USB-SV06MPMXC-24C-LF  
SERIES | | | | | | | | | | | | | | | | | | | | LEADFREE  
FEMALE | | | | | | | | | | | | | | | | | | | | 24 PIN C TYPE  
180°SMT | | | | | | | | | | | | | | | | | | | | CAP  
HIGH 6.5mm | | | | | | | | | | | | | | | | | | | | NON SPRING  
METAL FOOT | | | | | | | | | | | | | | | | | | | | METAL FOOT  
POST

DESCRIPTION:

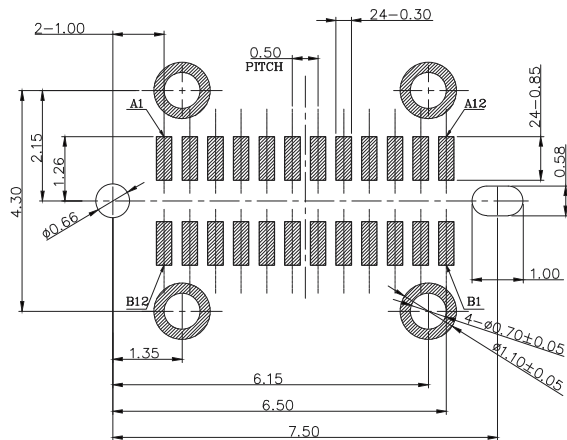
煜倫股份有限公司

www.morethanall.com



USB TYPE C 24PIN FULL-FEATURED  
RECEPTACLE INTERFACE PIN ASSIGNMENTS

PIN	Signal Name	PIN	Signal Name
A1	GND	B12	GND
A2	SSTXp1	B11	SSRXp1
A3	SSTXn1	B10	SSRXn1
A4	VBUS	B9	VBUS
A5	CC1	B8	SBU2
A6	Dp1	B7	Dn2
A7	Dn1	B6	Dp2
A8	SBU1	B5	CC2
A9	VBUS	B4	VBUS
A10	SSRXn2	B3	SSTXn2
A11	SSRXp2	B2	SSTXp2
A12	GND	B1	GND



RECOMMENDED P.C.B. LAYOUT (T:1.00mm)  
TOLERANCE UNSPECIFIED ±0.05mm  
SCALE: 2:1

RoHS Compliant

TOLERANCES ARE

**MORETHANALL**  
PCB CONNECTORS  
Cable ASSEMBLIES

DRAWING BY CY

X. ± 0.40

CHECKED BY GENIUS

.X ± 0.30

UNIT / mm

SCALE 1 : 1

.XX ± 0.20

DATE

.XXX ±

ANG ± 2°

SIZE A4

PJECTION

照片框

ORDER INFORMATION

USB-SV06MPMXC-24C-LF  
SERIES | | | | | | | | | | | | | | | | | | | | LEADFREE  
FEMALE | | | | | | | | | | | | | | | | | | | | 24 PIN C TYPE  
180°SMT | | | | | | | | | | | | | | | | | | | | CAP  
HIGH 6.5mm | | | | | | | | | | | | | | | | | | | | NON SPRING  
METAL FOOT | | | | | | | | | | | | | | | | | | | | METAL FOOT  
POST

DESCRIPTION:

煜倫股份有限公司

www.morethanall.com