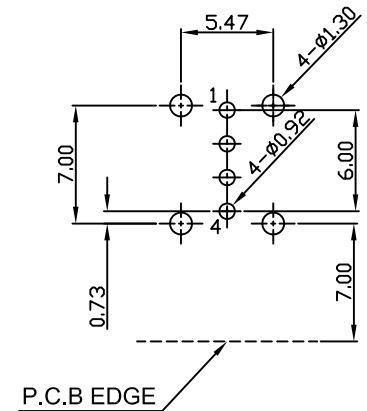
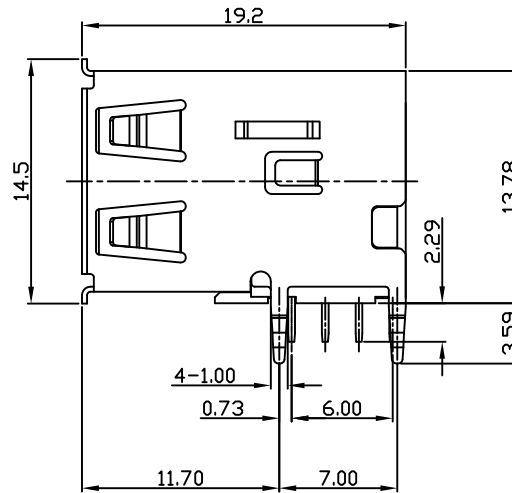
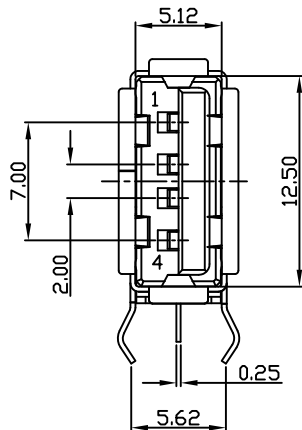
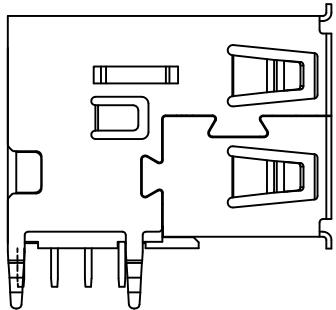
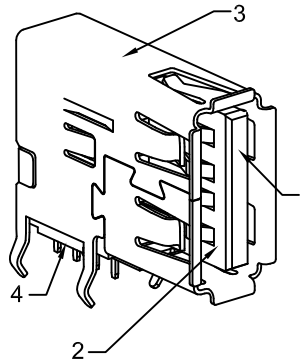
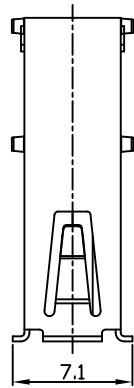


NO.	NAME	MATERIAL	FINISH
1	Housing	Thermoplastic	
2	Terminal	Copper Alloy	Gold-Tin Plated
3	Shell	Copper Alloy	Ni Plated
4	Housing Cover	High-Thermoplastic	



RECOMMEND PCB LAYOUT  
TOP VIEW  
P.C.B THICKNESS=1.57±0.03mm

RoHS Compliant

TOLERANCES ARE

**MORETHANALL**  
PCB CONNECTORS  
Cable ASSEMBLIES

DRAWING BY CY

CHECKED BY GENIUS

UNIT / mm

SCALE 1 : 1

DATE

SIZE A4

X, ±  
.X ± 0.25  
.XX ± 0.15  
.XXX ± 0.075  
ANG ±

P PROJECTION

照片框

ORDER INFORMATION

USB-SURVWH-4A-LF  
SERIES | | | LEADFREE  
FEMALE | REVERSED | WHITE | 4 PIN A TYPE  
UPRIGHT

DESCRIPTION: USB. TYPE A , Receptacle , Reverse , Up-right , 1 Port , THT

煜倫股份有限公司

www.morethanall.com