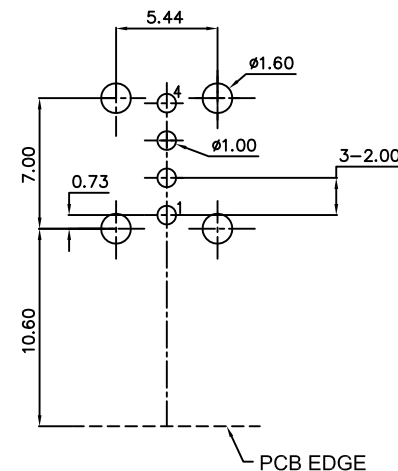


NO.	NAME	MATERIAL	FINISH
1	Housing	Thermoplastic	
2	Cover	Thermoplastic	
3	Terminal	Copper Alloy	Gold-Tin Plated
4	Shell	Alloy	Ni Plated



RECOMMENDED PCB LAYOUT
TOP VIEW
TOLERANCE: ±0.05mm
PCB THICKNESS: 1.60±0.05mm

RoHS Compliant

TOLERANCES ARE

MORETHANALL
PCB CONNECTORS
Cable ASSEMBLIES

DRAWING BY CY

CHECKED BY GENIUS

UNIT / mm SCALE 1 : 1

DATE

SIZE A4

X, ±
.X ± 0.25
.XX ± 0.15
.XXX ± 0.075
ANG ±

PJECTION

照片框

ORDER INFORMATION

USB-SUBK-4A-LF
SERIES | LEADFREE
| 4 PIN A TYPE
| BLACK
| UPRIGHT
| FEMALE

煜倫股份有限公司

www.morethanall.com

DESCRIPTION: USB , TYPE A , Receptacle , Up right , Single , Tht