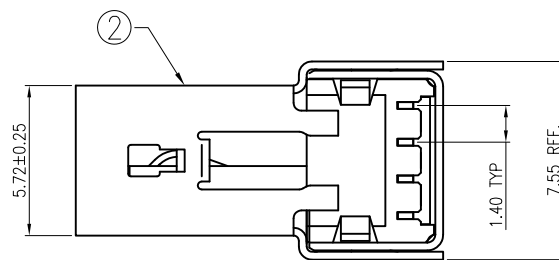


RECOMMENDED PCB LAYOUT(t=1.60)
COMPONENT SIDE

NOTE:

1. CAP. 0.25mm(Max)



⑤	HOUSING	PBT	COLOR: SEE NOTE
④	STOPPER	PBT	COLOR: BLACK
③	REAR SHELL	COPPER ALLOY(t=0.30)	OVER-PLATING: Ni 40u"
②	FRONT SHELL	COPPER ALLOY(t=0.30)	OVER-PLATING: Ni 40u"
①	TERMINAL	COPPER ALLOY(t=0.25)	CONTACT AREA: SEE NOTE SOLDER AREA: Sn 100u" UNDER-PLATING: Ni 50u"
ITEM	DESC.	MATERIAL	PART REMARKS

RoHS Compliant

TOLERANCES ARE

MORETHANALL
PCB CONNECTORS
Cable ASSEMBLIES

DRAWING BY CY

X.±

CHECKED BY GENIUS

.X±

UNIT / mm

SCALE 1:1

.XX±

DATE

.XXX±

ANG±

SIZE A4

PJECTION

照片框

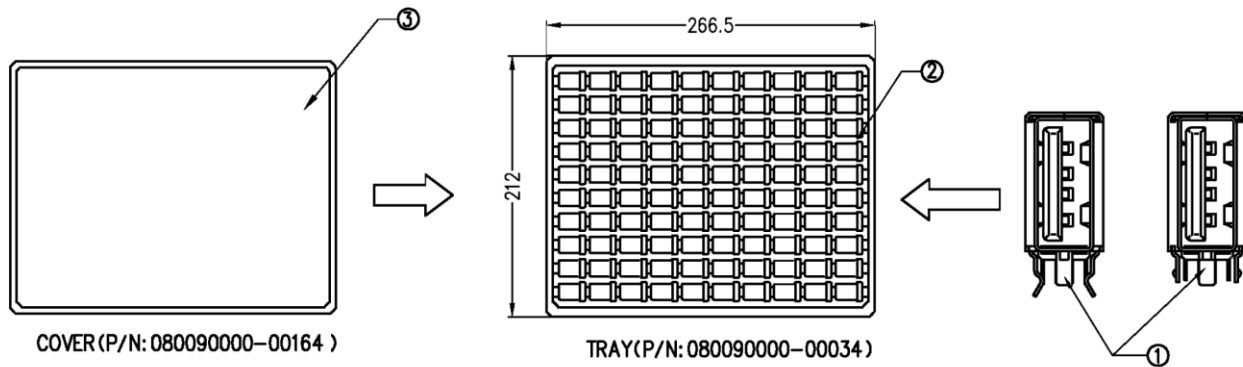
ORDER INFORMATION

USB-SU4M3PBBK-4A-LF
SERIES | | | | LEADFREE
4 PIN A TYPE
BLACK
PB MNT
FEMALE UPRIGHT METAL FOOT
4 ROW

煜倫股份有限公司

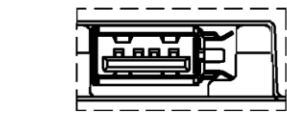
www.morethanall.com

DESCRIPTION: USB - A F 90° FLAE

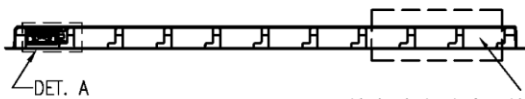


NOTES:

- 1. QUANTITY/TRAY: 100PCS/TRAY
數量/盤 : 100PCS/盤
- QUANTITY /CARTON: 100X20X2=4000PCS /CARTON
數量 /外箱 : 4000PCS/外箱

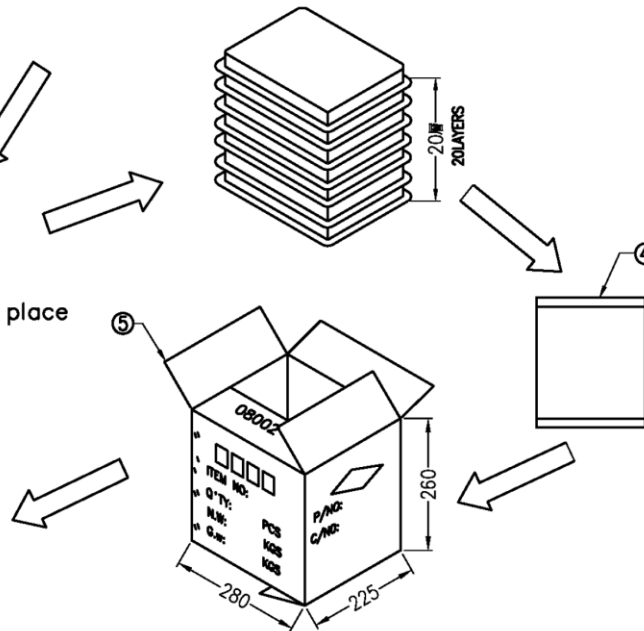
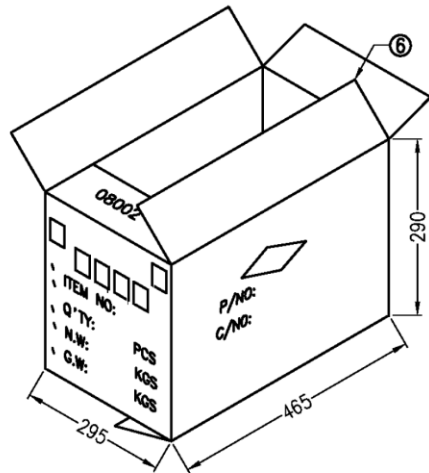


DET. A



DET. A

stick label in this place



序號 NO.	項 目 ITEM	
1	包裝方式 Method of packing	00001021*-00018
2	包裝方式說明 Packing instruction	
3	內包裝單位 Unit of inner packing	箱 CARTON
4	內包裝產品數量 Inner packing quantity	2000 PCS
5	內包裝重量(g) Inner packing weight	1831.5
6	外包裝單位 Unit of outer packing	箱 CARTON
7	外包裝內包裝數量 Quantity of inner packing	2
8	外包裝重量(g) Weight of outer packing	657
9	總數量 (PCS) Total quantity	4000 PCS
10	長Length(mm)x寬Width(mm)x高High(mm)	465x295x290
11	數量 /盤 QUANTITY/TRAY	100
12	淨重/箱WEIGHT/CARTON:N.W	9.78 KG
13	毛重/箱WEIGHT/CARTON:G.W	14.10±0.30KG

6	OUTER CARTON(外紙箱)	K=A	PA222
5	INNER CARTON(內紙箱)	B=C	PA322
4	PC BAG(PC袋)	PE	PC103
3	COVER(上蓋)	PET T=0.48 ^{+0.00} / _{-0.10}	PD215
2	TRAY(下蓋)	PET T=0.48 ^{+0.00} / _{-0.10}	PD115
1	PRODUCT(產品)		
ITEM	DESC.	MATERIAL	REMARKS

RoHS Compliant

MORETHANALL
PCB CONNECTORS
Cable ASSEMBLIES

煜倫股份有限公司

www.morethanall.com

DRAWING BY CY

CHECKED BY GENIUS

UNIT / mm SCALE 1 : 1

DATE

SIZE A4

TOLERANCES ARE

X, ±

.X ±

.XX ±

.XXX ±

ANG ±

PPOJECTION

照片框

ORDER INFORMATION

USB-SU4M3PBBK-4A-LF

SERIES | | | | LEADFREE
| | | | 4 PIN A TYPE
FEMALE | | | | BLACK
UPRIGHT | | | | PBT
| | | | METAL FOOT
4 ROW

DESCRIPTION: USB - A F 90° FLAE