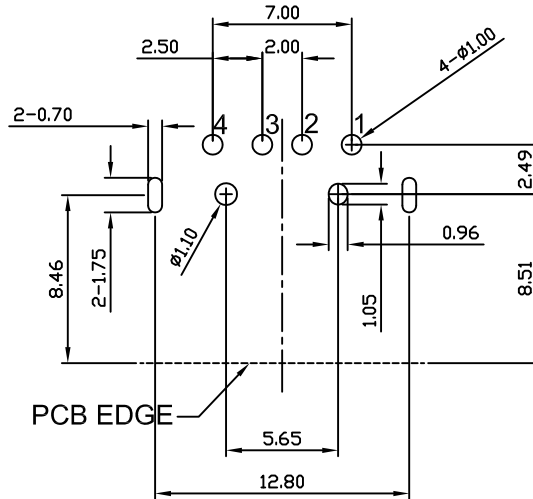
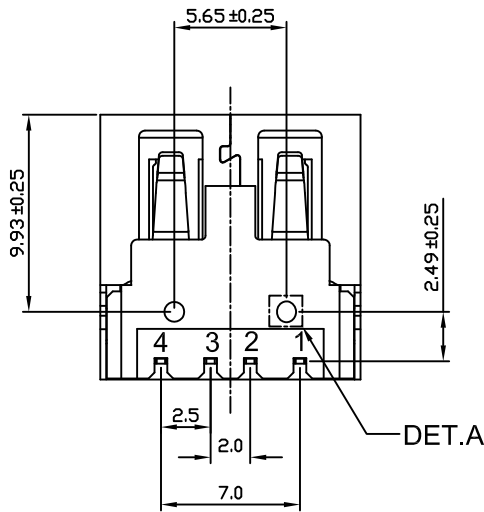
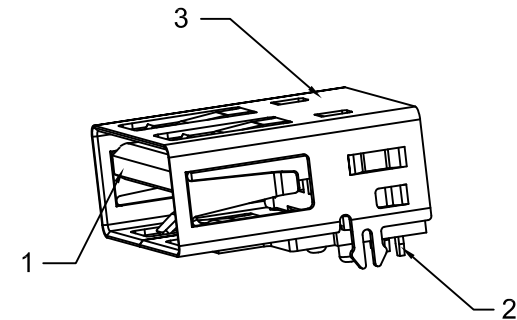
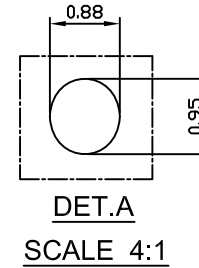


NO.	NAME	MATERIAL	FINISH
1	HOUSING	High-Thermoplastic	
2	TERMINAL	Copper Alloy	Gold & Mate Tin Plated
3	SHELL	Alloy	Ni Plated



RECOMMENDED PCB LAYOUT
TOP VIEW
TOLERANCE: $\pm 0.05\text{mm}$
PCB THICKNESS: $1.20 \pm 0.05\text{mm}$



RoHS Compliant

TOLERANCES ARE

MORETHANALL
PCB CONNECTORS
Cable ASSEMBLIES

DRAWING BY CY

X, ±
.X ± 0.25
.XX ± 0.15
.XXX ± 0.075
ANG ± 1°

CHECKED BY GENIUS

UNIT / mm SCALE 1 : 1

DATE

SIZE A4

PPOJECTION

照片框

ORDER INFORMATION

USB-SRZP1FXBK-4A-LF
SERIES | | | | LEADFREE
FEMALE | | | | 4 PIN A TYPE
DIP 90° | | | | BLACK
CLIP | | | | FLANGELESS

DESCRIPTION: USB A TYPE

煜倫股份有限公司

www.morethanall.com