

ITEM	DESC.	MATERIAL	REMARKS
3	HOUSING	PBT	30%G.F.,UL94V-0 COLOR:SEE NOTE
2	SHELL	COPPER ALLOY(t=0.30)	UNDER-PLATING: Cu 100u" OVER-PLATING:SEE NOTE
1	TERMINAL	COPPER ALLOY(t=0.25)	CONTACT AREA SEE NOTE SOLDER AREA :Sn 150u" UNDER-PLATING :Ni 50u"

RoHS Compliant

TOLERANCES ARE

MORETHANALL
PCB CONNECTORS
Cable ASSEMBLIES

DRAWING BY CY

X. ± 0.30

CHECKED BY GENIUS

.X ± 0.30

UNIT / mm

SCALE 1 : 1

.XX ± 0.20

DATE

.XXX ± 0.10

ANG $\pm 1^\circ$

照片框

ORDER INFORMATION

USB-SRRVZBKS30-4A-LF

SERIES | | | | LEADFREE
4 PIN A TYPE
FEMALE | | | | SEMI GOLD 30u"
DIP 90° | | | | BLACK
CLIP
REVERSED

煜倫股份有限公司

www.morethanall.com

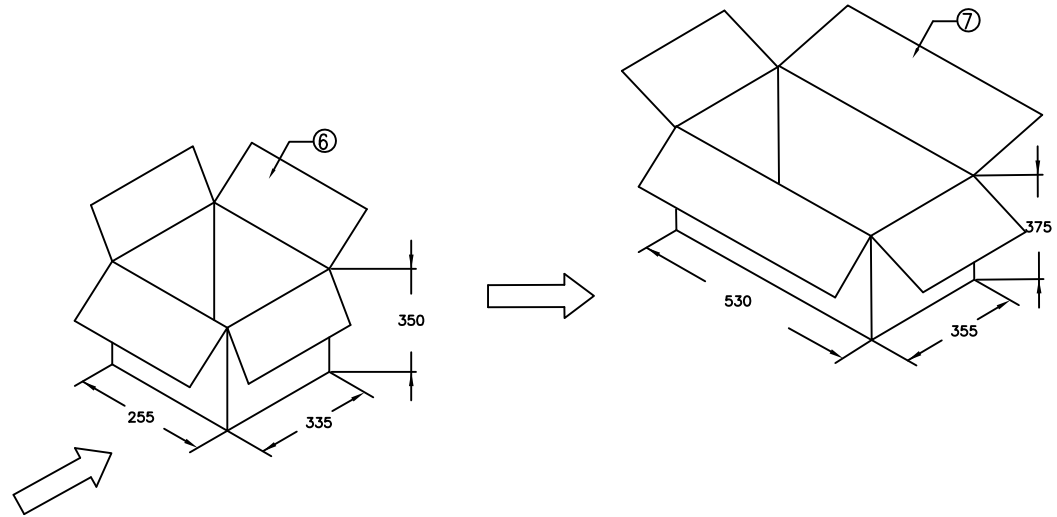
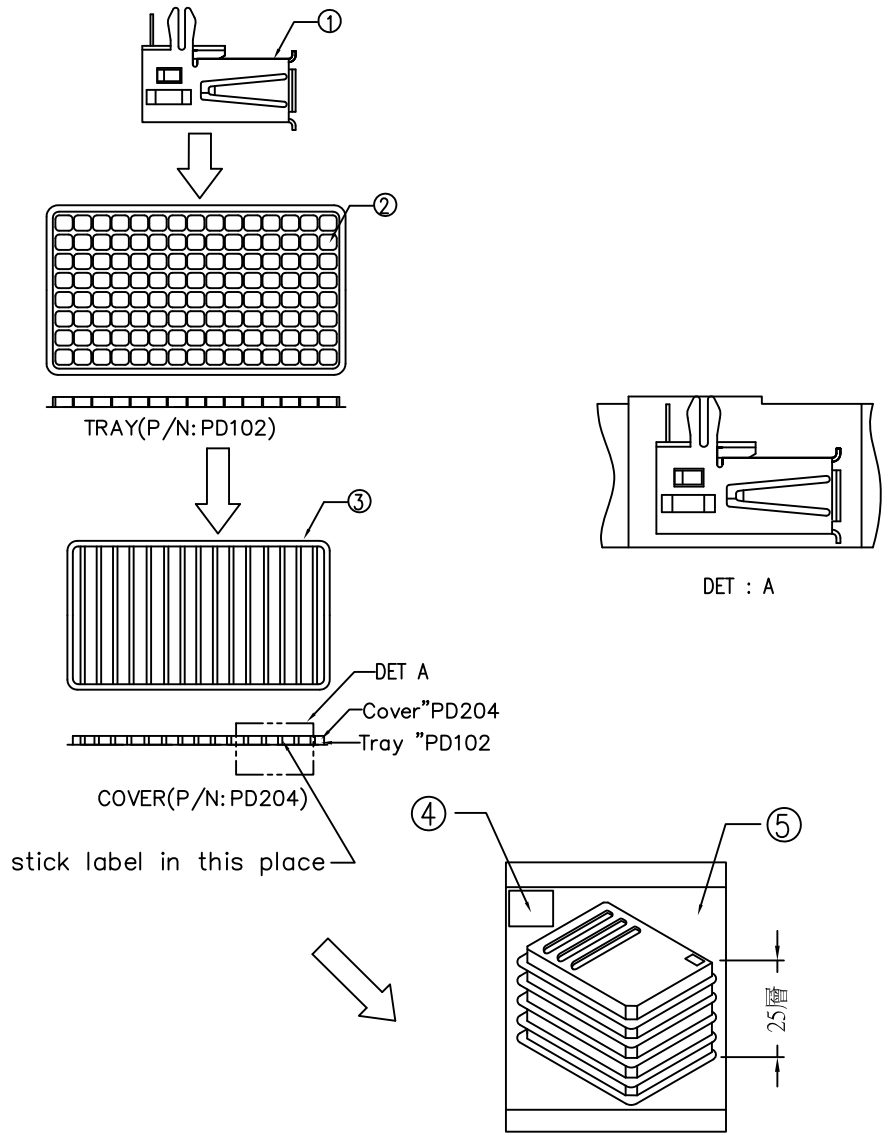
SIZE A4

PJECTION

DESCRIPTION:

NOTE:

1. QUANTITY/TRAY: 120PCS/TRAY
 數量/盤: 120PCS/盤
 QNANTYTY/CARTON: 120X25X2=6000PCS/CARTON
 數量/箱: 120X25X2=6000PCS/箱
 N.W: 10.92Kg
 淨重: 10.92Kg
 G.W: 17.72±0.30Kg
 毛重: 17.72±0.30Kg



7	OUTSIDE CARTON	K=A		PA204*1
6	INSIDE CARTON	B=C		PA304*2
5	PE BAG	PE		PC103*2
4	DESICCANT			PL101*2
3	COVER	PET		PD204*50
2	TRAY	PET		PD102*50
1	PRODUCT			
ITEM	DESC.	MATERIAL	REMARKS	PART REMARKS

MORETHANALL
 CONNECTORS
 ASSEMBLIES

煜倫股份有限公司

PART NO. USB-SRRVZBKS30-4A

DWG NO. USB-SRRVZBKS30-4A

FILE NO.

UNIT / mm

SCALE 1:1

CHECKED BY CY

DRAWING BY

PROJECTION

TOLERANCES ARE
 .X ± 0.2
 .XX ±
 .XXX ±
 AWG

DESCRIP TION:	AREA	REVISIONS	HK	DATE