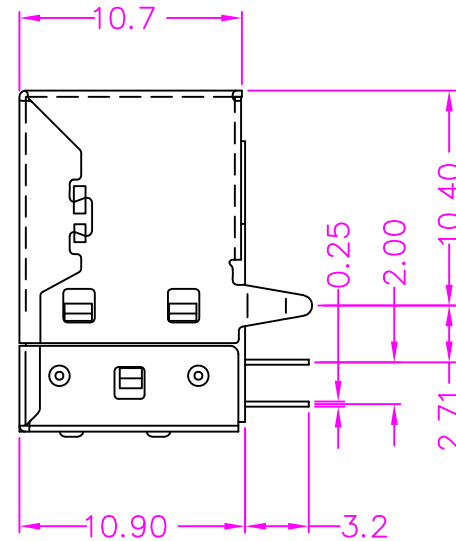
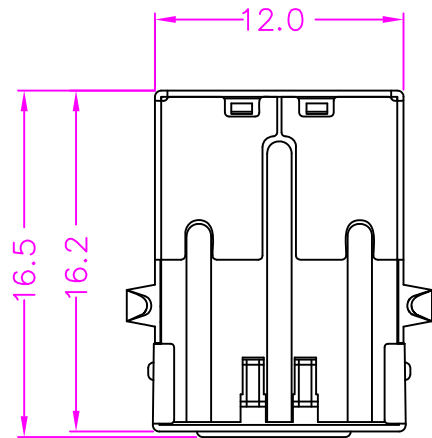


**MATERIALS**

HOUSING: THERMOPLASTIC (UL 94V-0)  
SHELL: COPPER ALLOY OR SPCC, NICKEL PLATING  
TERMINAL: COPPER ALLOY, GOLD PLATED ON CONTACT AREA  
TIN PLATING ON SOLDER TAIL

**SPECIFICATION**

CURRENT RATING: 1 AMP MAX  
DIELECTRIC WITHSTANDING: 500V AC FOR ONE MINUTE  
CONTACT RESISTANCE: 30m OHMS MAX  
INSULATION RESISTANCE: 1000M OHMS MIN AT DC 500V  
OPERATION TEMPERATURE:  $-40^{\circ}\text{C} \sim +85^{\circ}\text{C}$



**RoHS Compliant**

TOLERANCES ARE

**MORETHANALL**  
PCB CONNECTORS  
Cable ASSEMBLIES

DRAWING BY CY		X. $\pm 0.40$
CHECKED BY GENIUS		.X $\pm 0.30$
UNIT / mm	SCALE 1 : 1	.XX $\pm 0.20$
DATE		.XXX $\pm 0.10$
		ANG $\pm$

照片框

**ORDER INFORMATION**

**USB-SRORS30-4B-LF**  
SERIES | | | | LEADFREE  
4 PIN B TYPE  
SEMI GOLD 30u"  
ORANGE  
DIP 90°  
FEMALE

煜倫股份有限公司

www.morethanall.com

SIZE A4 PROJECTION

DESCRIPTION: USB B TYPE, PCB MOUNT, R/A, METAL SHIELD, FEMALE