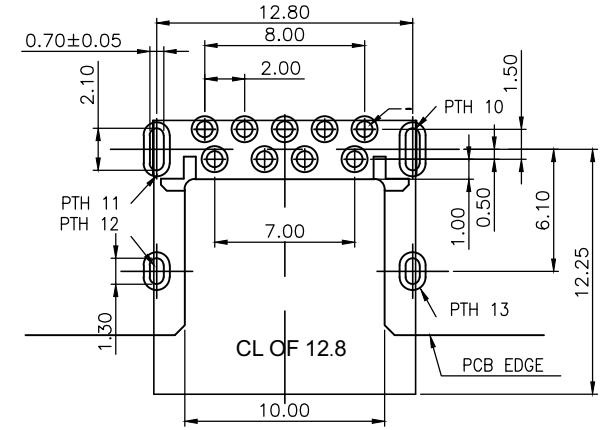
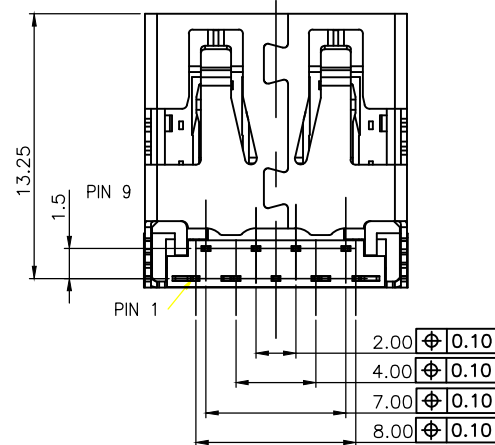
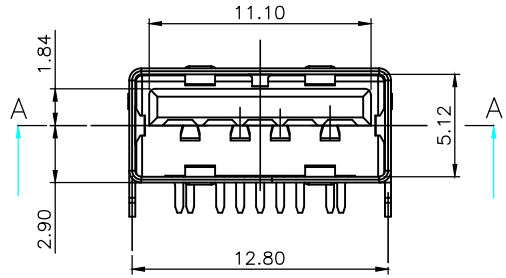
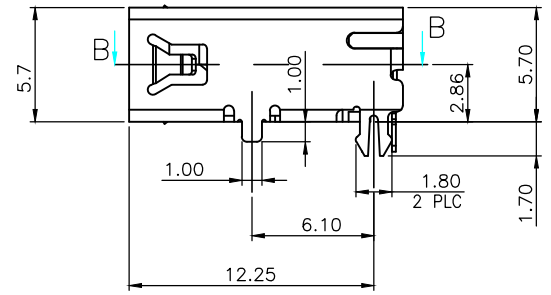
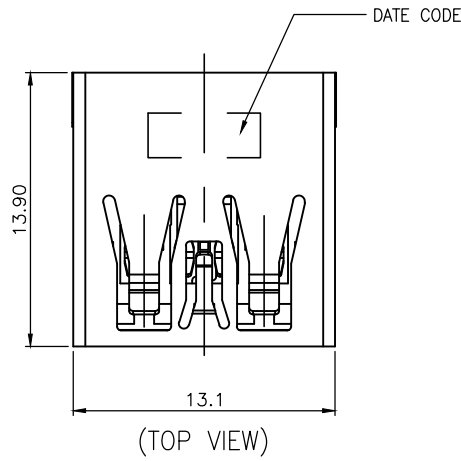
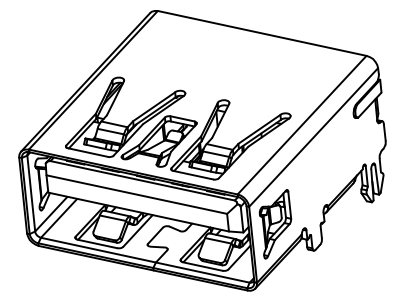


Pin Number	Signal Name
1	VBUS
2	D-
3	D+
4	ID
5	GND
6	MicB_SSTX-
7	MicB_SSTX+
8	GND_DRAIN
9	MicB_SSRX-
10	MicB_SSRX+
Shell	Shield



TOLERANCE: ±0.05, THICKNESS: 1.2mm
 RECOMMENDED PCB LAYOUT
 (TOP VIEW)
 KEEP OUT AREA



RoHS Compliant

TOLERANCES ARE

MORETHANALL
 PCB CONNECTORS
 Cable ASSEMBLIES
 煜倫股份有限公司
 www.morethanall.com

DRAWING BY CY		X. ± .X ± 0.25 .XX ± 0.20 .XXX ± 0.10 ANG ± 5°
CHECKED BY GENIUS		
UNIT / mm	SCALE 1 : 1	
DATE		
SIZE A4	PJECTION	



ORDER INFORMATION

USB-SRMMFX57BL-9A-LF
 SERIES | | | | | LEADFREE
 | | | | | 9 PIN A TYPE
 | | | | | BLUE
 FEMALE | | | | | HIGH 5.7mm
 DIP 90° | | | | | NON FLANGE
 | | | | | METAL FOOT

DESCRIPTION: