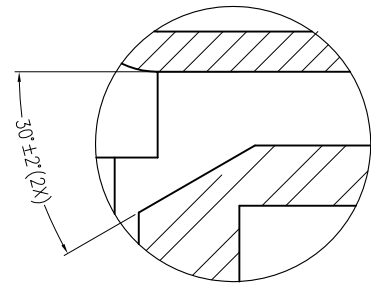
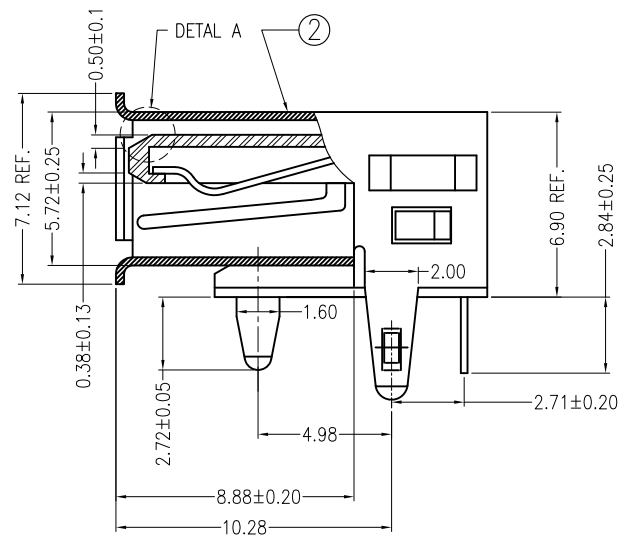
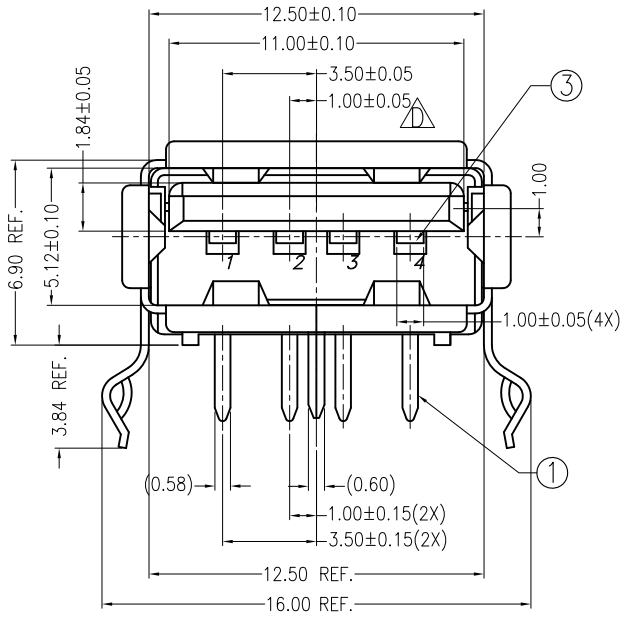


RECOMMENDED PCB LAYOUT
COMPONENT SIDE

ITEM	DESC.	MATERIAL	REMARKS
3	HOUSING	PBT	30%G.F.,UL94V-0 COLOR: SEE NOTE
2	SHELL	COPPER ALLOY(t=0.30)	OVER-PLATING: SEE NOTE
1	TERMINAL	COPPER ALLOY(t=0.25)	CONTACT AREA: SEE NOTE SOLDER AREA: Sn 100u" UNDER-PLATING: Ni 50u"



DETAL "A"
SCALE: 5:1

RoHS Compliant

TOLERANCES ARE

MORETHANALL
PCB CONNECTORS
Cable ASSEMBLIES
煜倫股份有限公司
www.morethanall.com

DRAWING BY CY		X, ± .X ± 0.30 .XX ± .XXX ± ANG ± 3°
CHECKED BY GENIUS		
UNIT / mm	SCALE 1 : 1	
DATE		
SIZE A4	PPOJECTION	



ORDER INFORMATION

USB-SRM3xyyy-4A-LF			
SERIES		4 PIN A TYPE	LEADFREE
FEMALE		BLANK:GOOD FLASH	
		S15:SEMI GOLD 15u"	
		S30:SEMI GOLD 30u"	
180°SMT			
METAL FOOT	BK:BLACK		
	WH:WHITE		

DESCRIPTION: