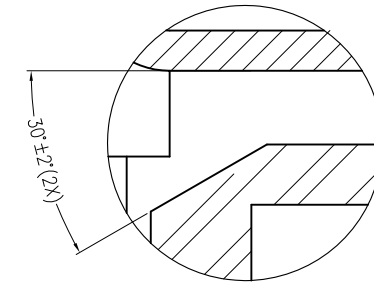
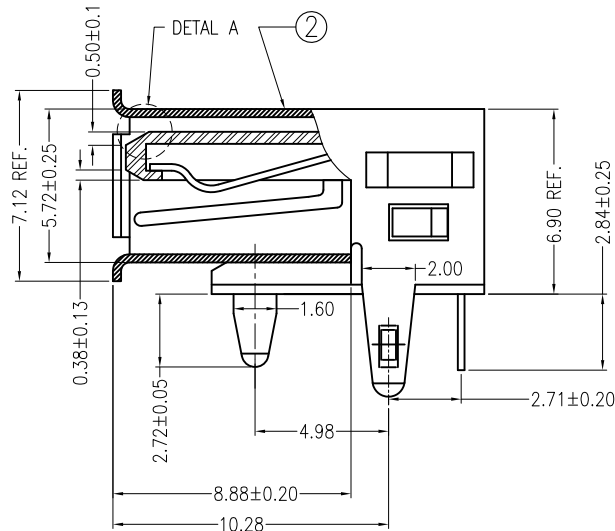
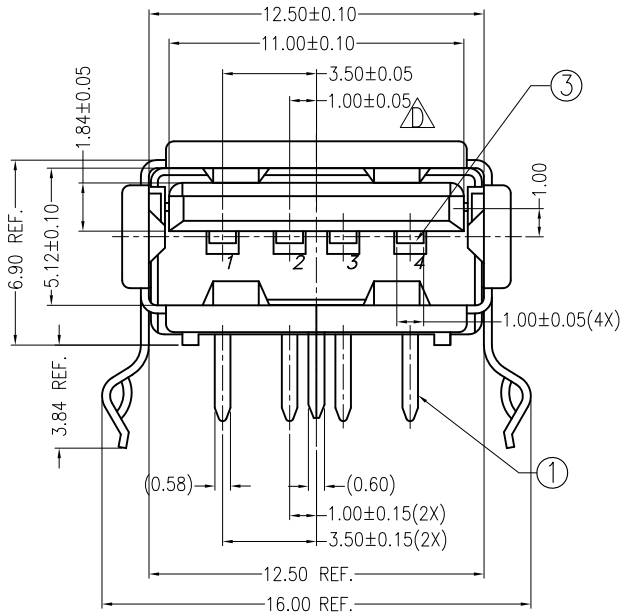


RECOMMENDED PCB LAYOUT
COMPONENT SIDE



DETAL "A"
SCALE: 5:1

ITEM	DESC.	MATERIAL	REMARKS
3	HOUSING	PBT	30%G.F.,UL94V-0 COLOR: SEE NOTE
2	SHELL	COPPER ALLOY(t=0.30)	OVER-PLATING: SEE NOTE
1	TERMINAL	COPPER ALLOY(t=0.25)	CONTACT AREA: SEE NOTE SOLDER AREA: Sn 100u" UNDER-PLATING: Ni 50u"

RoHS Compliant

TOLERANCES ARE

MORETHANALL
PCB CONNECTORS
Cable ASSEMBLIES

DRAWING BY CY

CHECKED BY GENIUS

UNIT / mm

SCALE 1 : 1

DATE

SIZE A4

X, ±
X ± 0.30
.XX ±
.XXX ±
ANG ± 3°

PPOJECTION

照片框

ORDER INFORMATION

USB-SRM3BKS30-4A-LF
SERIES | LEADFREE
FEMALE | 4 PIN A TYPE
180°SMT | BLACK
METAL FOOT | S30:SEMI GOLD 30u"

DESCRIPTION:

煜倫股份有限公司

www.morethanall.com