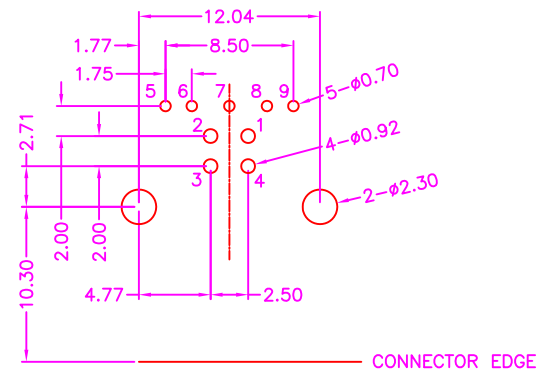
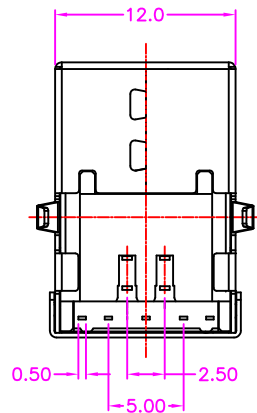
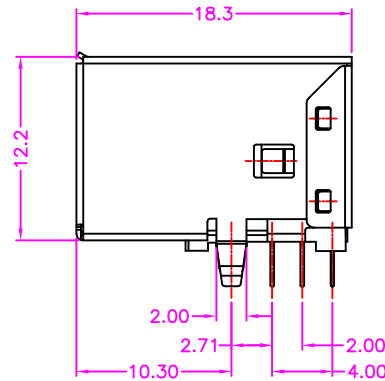
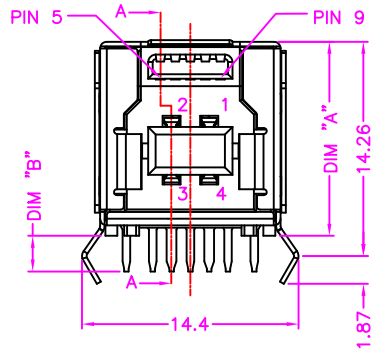


SECTION A-A



P.C.B. LAYOUT
TOP VIEW ± 0.05

CONNECTOR EDGE

MATERIALS

HOUSING: LCP (UL 94V-0), BLUE
SHELL: COPPER ALLOY, NICKEL PLATING
TERMINAL: COPPER ALLOY, GOLD PLATED ON CONTACT AREA
TIN PLATING ON SOLDER TAIL

SPECIFICATION

CURRENT RATING: 1.5 AMP MAX
DIELECTRIC WITHSTANDING: 500V AC FOR ONE MINUTE
CONTACT RESISTANCE: 30m OHMS MAX
INSULATION RESISTANCE: 1000M OHMS MIN AT DC 500V
OPERATION TEMPERATURE: $-40^{\circ}\text{C} \sim +85^{\circ}\text{C}$

PIN NUMBER	SIGNAL NAME
1	VBUS
2	D-
3	D+
4	GND
5	STDA_SSTX-
6	STDA_SSTX+
7	GND_DRAIN
8	STDA_SSRX-
9	STDA_SSRX+
SHELL	SHIELD

RoHS Compliant

TOLERANCES ARE

MORETHANALL
PCB CONNECTORS
Cable ASSEMBLIES

DRAWING BY CY

X ± 0.40

CHECKED BY GENIUS

.X ± 0.30

UNIT / mm

SCALE 1 : 1

.XX ± 0.20

DATE

.XXX ± 0.10

ANG \pm

SIZE A4

P PROJECTION

照片框

ORDER INFORMATION

USB-SRBL-9B-LF
SERIES | | LEADFREE
| | 9 PIN B TYPE
| BLUE
DIP 90°
FEMALE

煜倫股份有限公司

www.morethanall.com

DESCRIPTION: USB 3.0 B TYPE, PCB MOUNT, R/A, METAL SHIELD, 9PIN, FEMALE