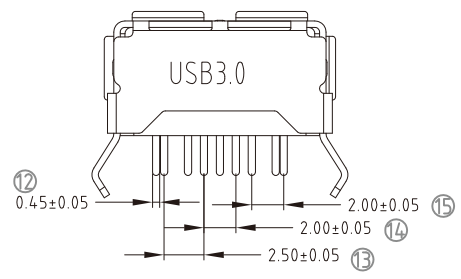
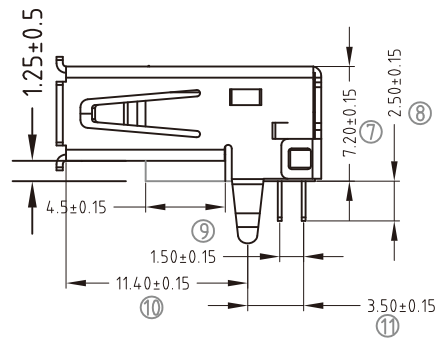
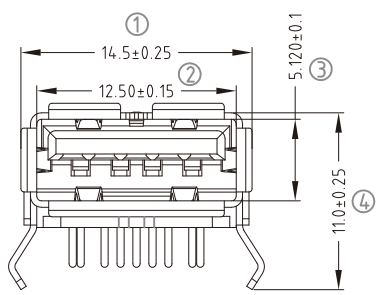


4	USB 3.0 A/F DIP 母座 外壳	C2680R-H	1
3	USB 3.0 A/F DIP 母座 下端子	C2680	5
2	USB 3.0 A/F DIP 母座 上端子	C5191	4
1	USB 3.0 A/F DIP 母座 胶芯	PBT+30%GF	1
序号	产品名称	材 质	数量



Note:

1.Material:

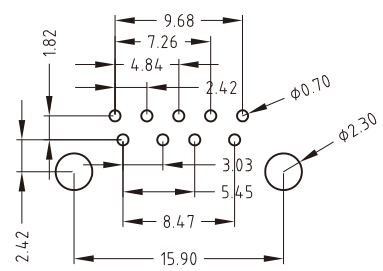
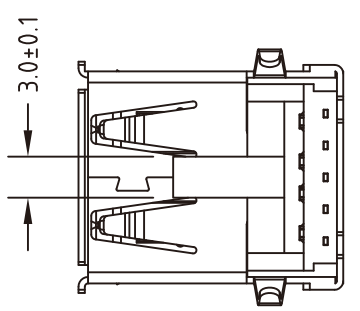
- 1.1 Housing:PBT+30%G/F,BLUE UL94V-0.
- 1.2 Shell:BRASS C2680R-H.
- 1.3 Contact:PHOSPHOR BRONZE C2680/C5191

2.FINISH:

- 2.1 CONTACT Plate with Gold 15U" Plate
- 2.2 shell:Nickel 80U"(MIN) Plate

3.Specification:

- 3.1 Dielectric withstanding voltage:100V(AC).
- 3.2 Contact resistance:50mΩ Max
- 3.3 Insulation resistance:100MΩ Min



CONNECTOR FRONT EDGE
REFERENCE PCB LAYOUT

RoHS Compliant

TOLERANCES ARE

MORETHANALL
PCB CONNECTORS
Cable ASSEMBLIES

DRAWING BY CY

CHECKED BY GENIUS

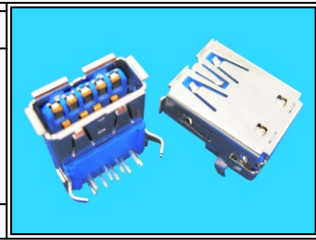
UNIT/mm SCALE 1:1

DATE

SIZE A4

X. ±
.X ±
.XX ±
.XXX ±
ANG ±

PJECTION



ORDER INFORMATION

USB-SRBL-9A-LF
SERIES | LEADFREE
BLUE
DIP 90°
FEMALE

煜倫股份有限公司

www.morethanall.com

DESCRIPTION: