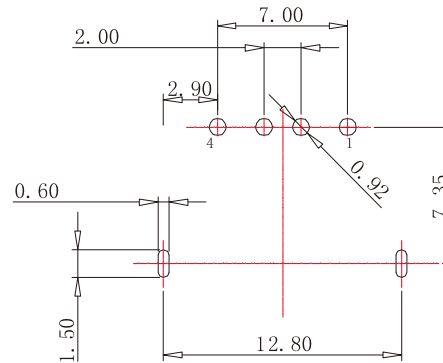
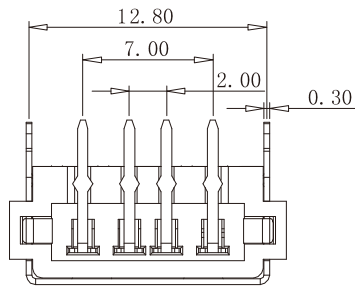
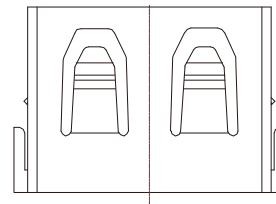
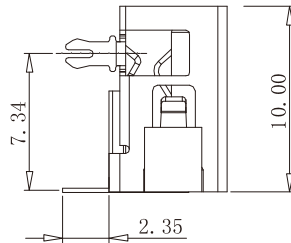
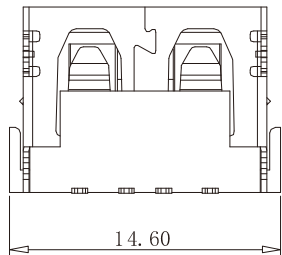


SECTION A-A



P.C.B LAYOUT MOUNTING PATTERN

## SPECIFICATIONS

### Electrical:

- 1.Current Rating: 1.5A / contact terminal
- 2.Voltage Rating: 30V DC
- 3.Contact Resistance: 30 mΩ Max
- 4.Dielectric Withstanding Voltage: 500 V AC AT Sec Level
- 5.Insulation Resistance: 1,000 MΩ Min

### Mechanical:

- 1.Connector Mate and Unmate Force  
Mate force: 3.75 kgf (Max)  
Unmate force: 1.02 kgf (Min)
- 2.Terminal Retention: 1.2 kgf (Min)

### Material:

- 1.Housing: High Temperature Thermal Plastics, UL 94V-0 , PBT

- 2.Contact: BRASS

- 3.Shell: BRASS / SPCC

### Finish:

- 1.Contact: Plated Gold in Mating Area ;  
Tin Plated on Solder Balls ;  
Nickel under plated overall
- 2.Shell: Nickel under Plated surface layer

RoHS Compliant

TOLERANCES ARE

**MORETHANALL**  
PCB CONNECTORS  
Cable ASSEMBLIES

煜倫股份有限公司

www.morethanall.com

DRAWING BY CY

CHECKED BY GENIUS

UNIT / mm SCALE 1 : 1

DATE

SIZE A4

X. ±  
.X ±  
.XX ±  
.XXX ±  
ANG ±

PJECTION

照片框

### ORDER INFORMATION

USB-SR100Z1xx-4A-LF  
SERIES | LEADFREE  
FEMALE | 4 PIN A TYPE  
DIP 90° | CLIP  
BK:BLACK  
WH:WHITE  
LONG 10.0mm

DESCRIPTION: USB A/F 短體10.0 無捲邊,前插, H:6.3mm