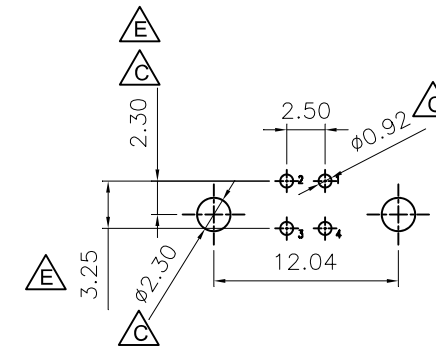


- Specifications:
- △△ Current Rating:1.0A Amps.
 - △△ Voltage Rating:30V AC/DC
 - △ Contact Resistance:30m ohm.Max.
 - △ Insulation Resistance:1000M ohm.Min.
 - △ Withstanding Voltage:500V AC/Minute
 - △ Operating Temperature Range:-20°C To +60°C △
 - △ Material and Finish:
 - △ Insulator:PBT (UL94V-0)
 - △ Contact:Phosphor Bronze
 - △ Plating:Gold Plated on Contact Area,
Tin Plated on Solder Tail.
 - △ Shell:Copper Alloy,Nickel Plated



P.C.B. Layout

RoHS Compliant

TOLERANCES ARE

MORETHANALL
PCB CONNECTORS
Cable ASSEMBLIES

煜倫股份有限公司

www.morethanall.com

DRAWING BY CY

CHECKED BY GENIUS

UNIT / mm

SCALE 1 : 1

DATE

SIZE A4

X. ±
.X ± 0.30
.XX ± 0.20
.XXX ±
ANG ±

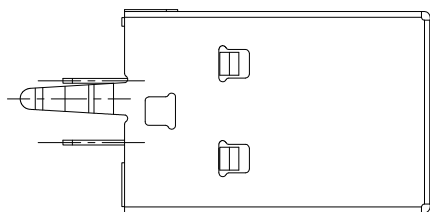
P PROJECTION

照片框

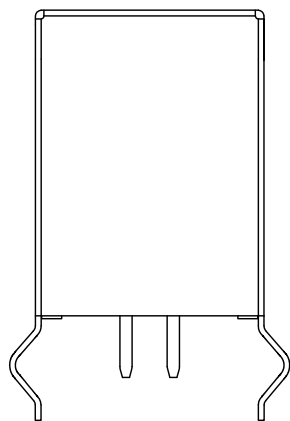
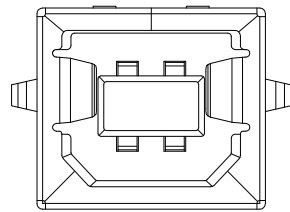
ORDER INFORMATION

USB-SDxxS30-4B-LF
SERIES | | | | LEADFREE
FEMALE | | | | 4 PIN B TYPE
BK:BLACK
WH:WHITE
DIP 180°

DESCRIPTION: USB B TYPE PCB FEMALE STRAIGHT

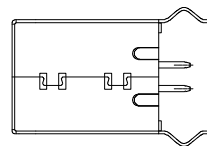


E



(SC 1:1)

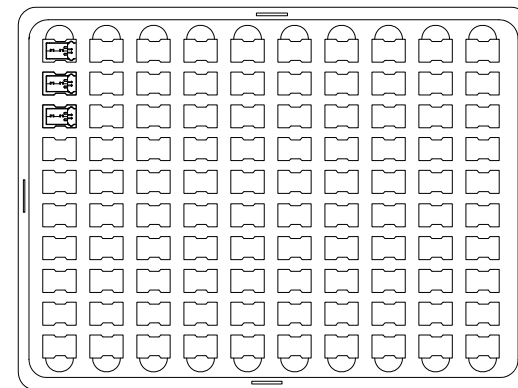
E



(SC 1:2)

D B

Note:
1.Dimension:
Carton Size:315X260X260(mm)

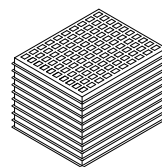


D

(SC 1:10)

D B

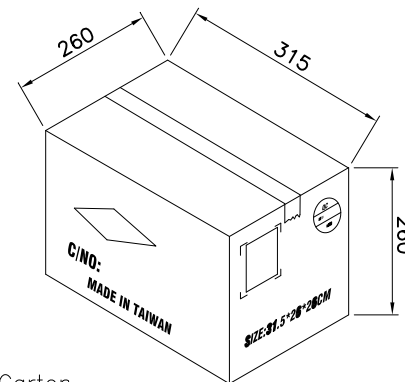
Pin.	Pcs/Tray	Tray/Carton	Pcs/Carton
04	100	20	2000



E D B

20 Trays

D C B



Carton

RoHS Compliant

TOLERANCES ARE

MORETHANALL
PCB CONNECTORS
Cable ASSEMBLIES

煜倫股份有限公司

www.morethanall.com

DRAWING BY CY

CHECKED BY GENIUS

UNIT / mm

SCALE 1:1

DATE

SIZE A4

PPOJECTION

X. ±
.X ± 0.20
.XX ± 0.15
.XXX ±
ANG ±

照片框

ORDER INFORMATION

USB-SDxxS30-4B-LF
SERIES | LEADFREE
| 4 PIN B TYPE
SEMI GOLD 30u"
BK:BLACK
WH:WHITE
FEMALE | DIP 180°

DESCRIPTION: USB B Type 4P PCB Socket Straight Type Packing List