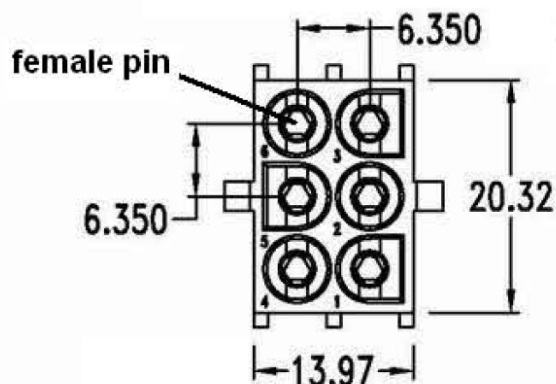
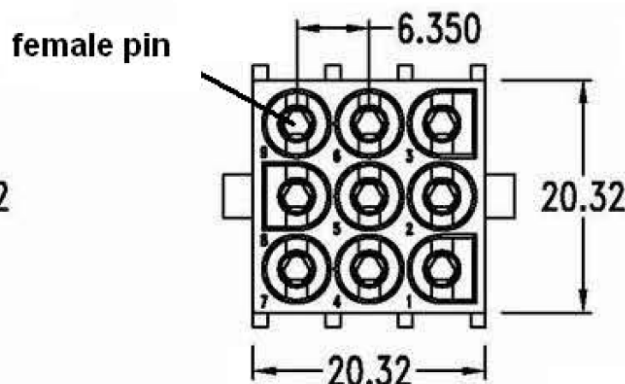


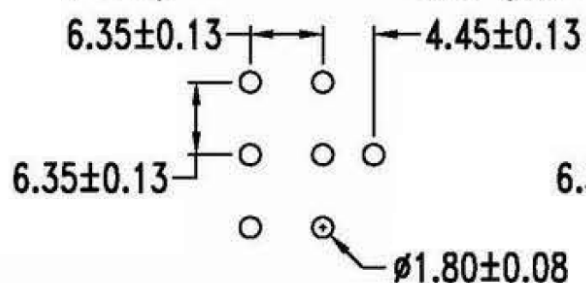
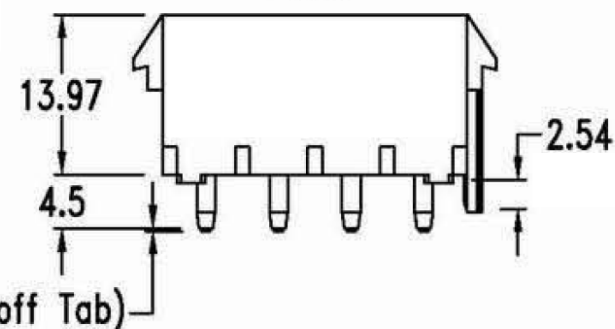
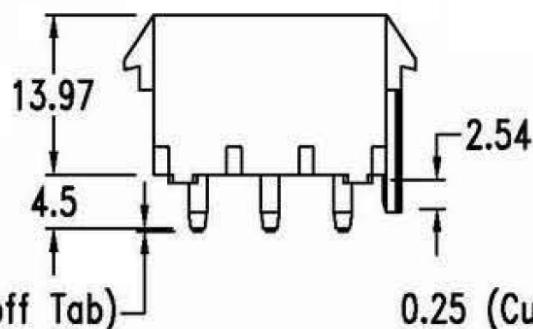
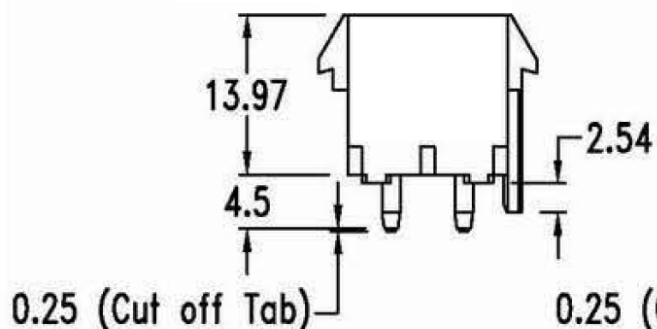
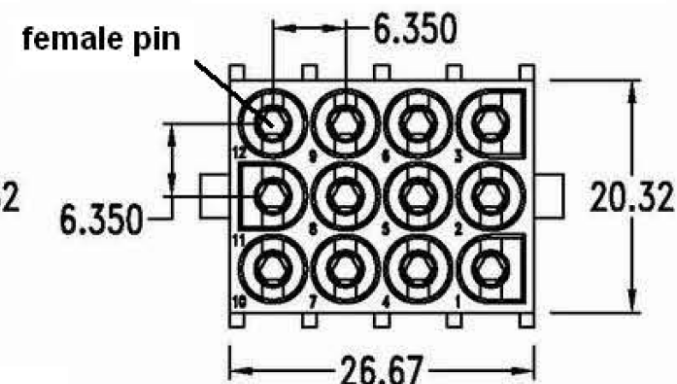
UL-SDP-3X02



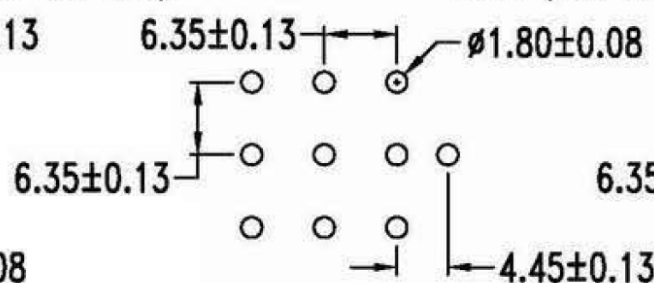
UL-SDP-3X03



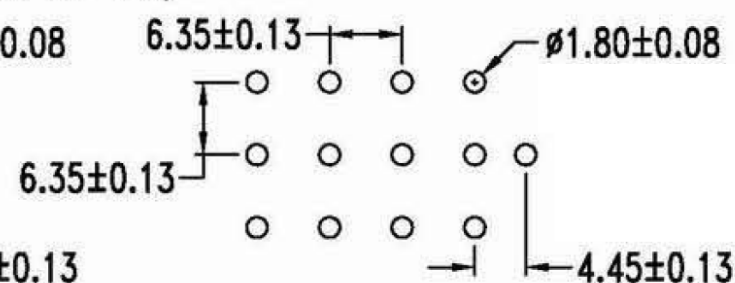
UL-SDP-3X04



P. C. board layout



P. C. board layout



P. C. board layout

RoHS Compliant

TOLERANCES ARE

**MORETHANALL**  
PCB CONNECTORS  
Cable ASSEMBLIES

煜倫股份有限公司

www.morethanall.com

DRAWING BY CY

CHECKED BY GENIUS

UNIT / mm SCALE 1 : 1

DATE

SIZE A4

X, ±  
.X ± 0.40  
.XX ± 0.25  
.XXX ± 0.08  
ANG ±

P PROJECTION

照片框

ORDER INFORMATION

UL-SDP-3Xxx-LF

SERIES | LEADFREE  
3X02:06 WAY  
3X04:12 WAY  
POST  
DIP 180°  
FEMALE

DESCRIPTION: