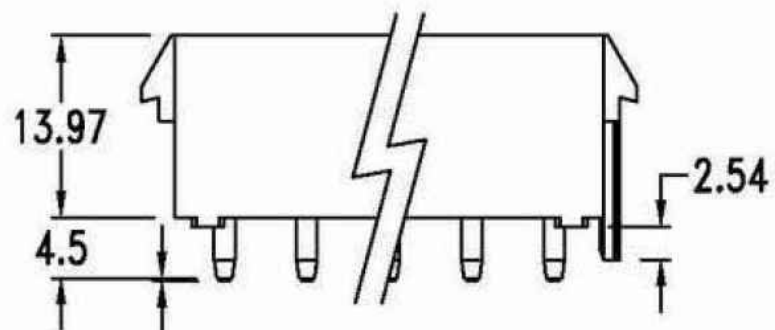
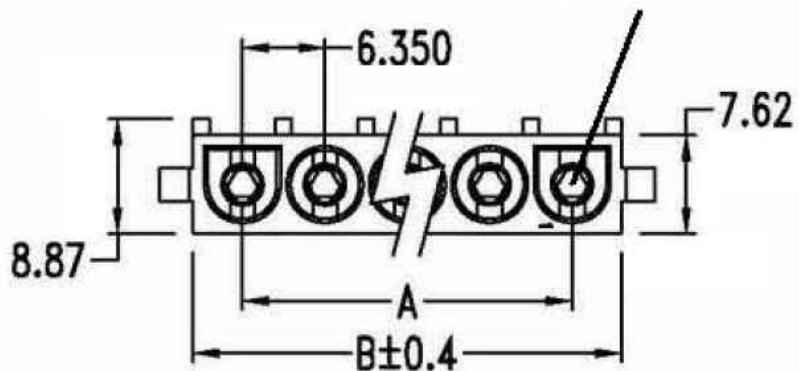
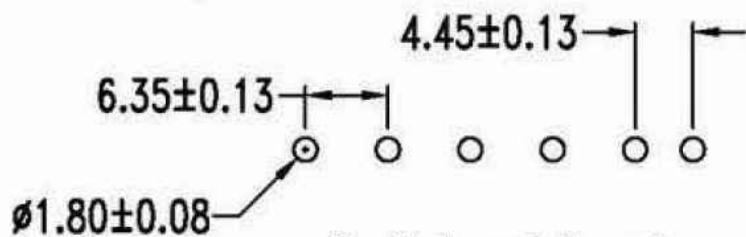


female pin



0.25 (Cut off Tab)



P. C. board layout

Dimensional Information ( mm )

Circuits	Dim. A	Dim. B	Circuits	Dim. A	Dim. B
2	6.35	13.97	7	38.10	45.72
3	12.70	20.32	8	44.45	52.07
4	19.05	26.67	9	50.80	58.42
5	25.40	33.02	10	57.15	64.77
6	31.75	39.37			

RoHS Compliant

TOLERANCES ARE

**MORETHANALL**  
PCB CONNECTORS  
Cable ASSEMBLIES

DRAWING BY CY

CHECKED BY GENIUS

UNIT / mm

SCALE 1 : 1

DATE

SIZE A4

X, ±  
.X ±  
.XX ±  
.XXX ±  
ANG ±

P PROJECTION

照片框

ORDER INFORMATION

UL-SDP-1Xxx-LF  
SERIES | LEADFREE  
1X02:02WAY  
1X10:10WAY  
POST  
DIP 180°  
FEMALE

煜倫股份有限公司

www.morethanall.com

DESCRIPTION: