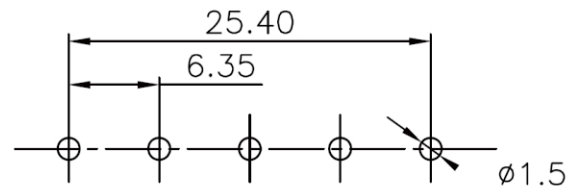
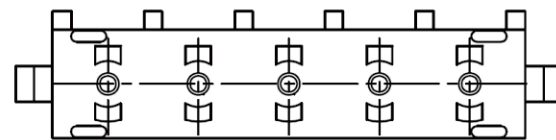
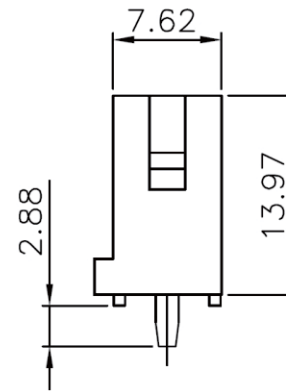
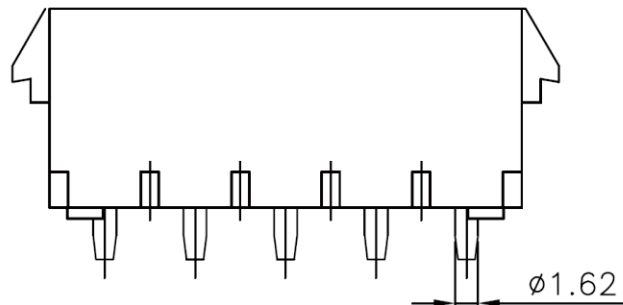
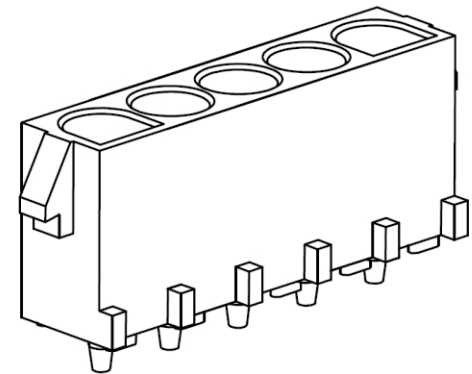


SEC A-A



RECOMMENDED PCB LAYOUT



NOTE :

- * Material : Nylon UL 94V-2
- * Color : Natural
- * Contact : Brass
- * Finish : Plated Tin/Lead over Nickel
- * Electrical rating : UL 600V 6A, AC/DC
CSA 600V 6A, AC/DC
- * Integally molded polarization
- * Friction lock

RoHS Compliant

TOLERANCES ARE

MORETHANALL
PCB CONNECTORS
Cable ASSEMBLIES

煜倫股份有限公司

www.morethanall.com

DRAWING BY CY

CHECKED BY GENIUS

UNIT / mm SCALE 1 : 1

DATE

SIZE A4

X, ±
.X ±
.XX ±
.XXX ±
ANG ±

PJECTION

照片框

ORDER INFORMATION

UL-PDX-1X05-LF
SERIES | LEADFREE
| 05 WAY
| NON POST
| DIP 180°
| MALE HOUSING

DESCRIPTION: