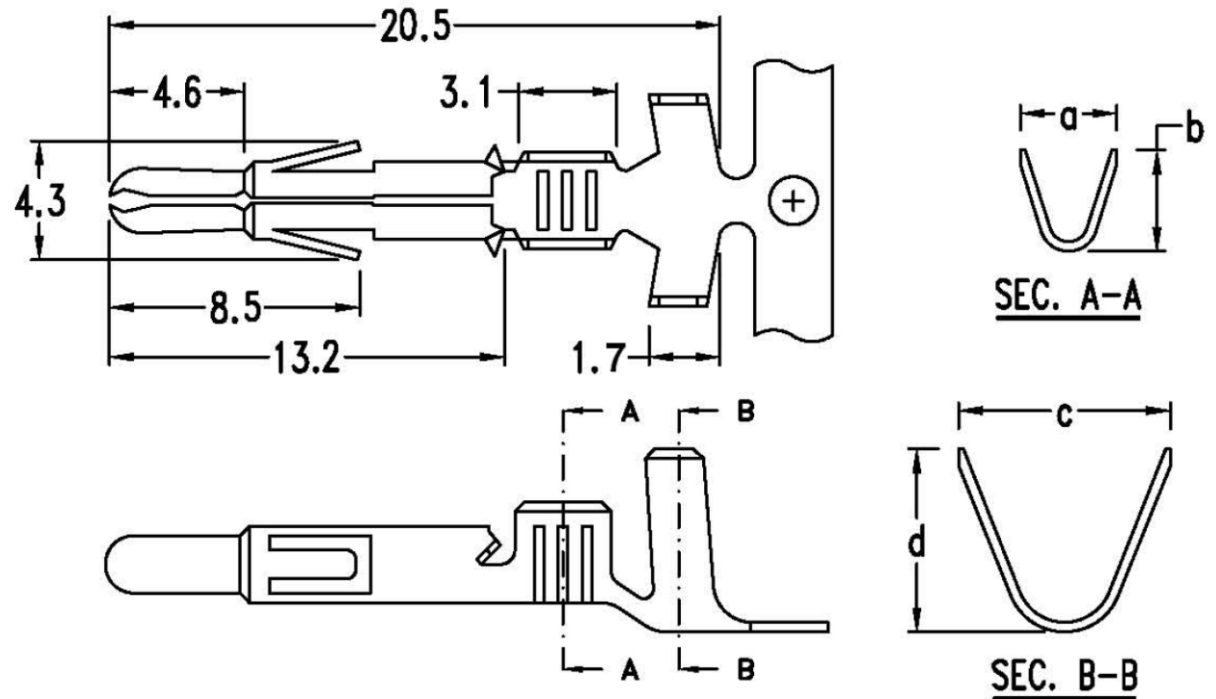


Features / Specifications:

- Current rating: 11A
- Voltage rating: 600V
- Ambient temperature range: -55°C ~ 105°C



Ordering & Dimensional Information (mm)

Part No.	Dimension				Wire range	Material	Thickness	Finish
	a	b	c	d				
UL-MSP-18	2.4	2.4	3.4	3.4	#18 ~ #22	Brass	0.3mm	Tin-plated
UL-MSP-16	2.9	3.5	4.5±0.4	4.4±0.4	#16 ~ #20			
UL-MSP-12	3.2	4.2	6.4±0.4	5.7±0.4	#12 ~ #14			

RoHS Compliant

TOLERANCES ARE

MORETHANALL
PCB CONNECTORS
Cable ASSEMBLIES

煜倫股份有限公司

www.morethanall.com

DRAWING BY CY

CHECKED BY GENIUS

UNIT / mm SCALE 1 : 1

DATE

SIZE A4

X, ±

.X ±

.XX ±

.XXX ±

ANG ±

PPOJECTION

照片框

ORDER INFORMATION

UL-MSP-xx-LF
SERIES | LEADFREE
12:12~14 AWG
16:16~20 AWG
18:18~22 AWG
SPLIT
MALE TERMINAL

DESCRIPTION: