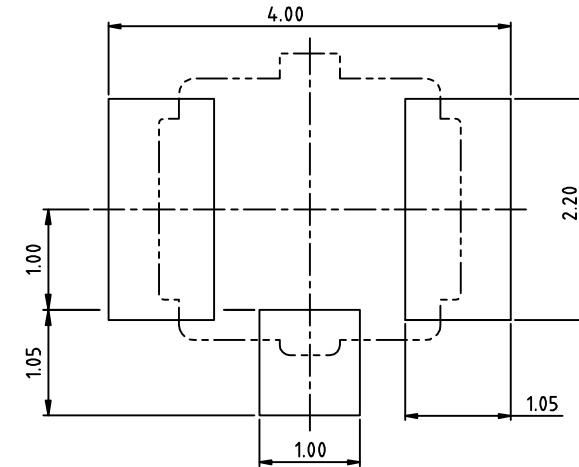


NOTE: UNLESS OTHERWISE SPECIFIED

1. DIMENSION SHALL BE INTERPRETED PER ANSI Y14.5M-1994.
2. DIMENSION MARKED WITH "▼" SHOULD SPECIFIED ON INSPECTION PLAN.
3. CONTACT RETENTION FORCE: 0.4 N MIN.
4. CONTACT MATERIAL: COPPER ALLOY.
5. INSULATOR: HIGH TEMPERATURE PLASTIC UL94 V-0
6. CONTACT FINISH: GOLD PLATED 5u" ON MATING AREA, GOLD FINISH 1u" ON SHELL, ALL OVER 50u" NICKEL UNDER PLATED
7. ALL MATERIAL MEET RoHS SPECIFICATION AND IN CONFORMITY WITH REACH & SVHC STANDARD STIPULATIONS



RECOMMENDED PCB LAYOUT

3	GROUND PAD	METAL SHELL, GOLD/BRIGHT GOLD PLATING	1
2	CENTER PIN	CENTER CNT, GOLD/BRIGHT GOLD PLATING	1
1	HOUSING	OVER MOLD HOUSING, LCP, IVORY, UL94V-0	1
ITEM	PART NUMBER	DESCRIPTION	Q'TY

RoHS Compliant

TOLERANCES ARE

MORETHANALL
PCB CONNECTORS
Cable ASSEMBLIES

DRAWING BY CY

X. ±

CHECKED BY GENIUS

.X ±

UNIT / mm

SCALE 1:1

.XX ±

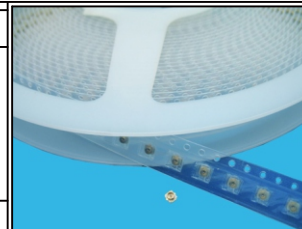
DATE

.XXX ±

ANG ±

SIZE A4

PROJECTION



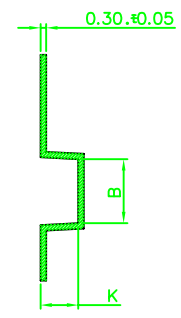
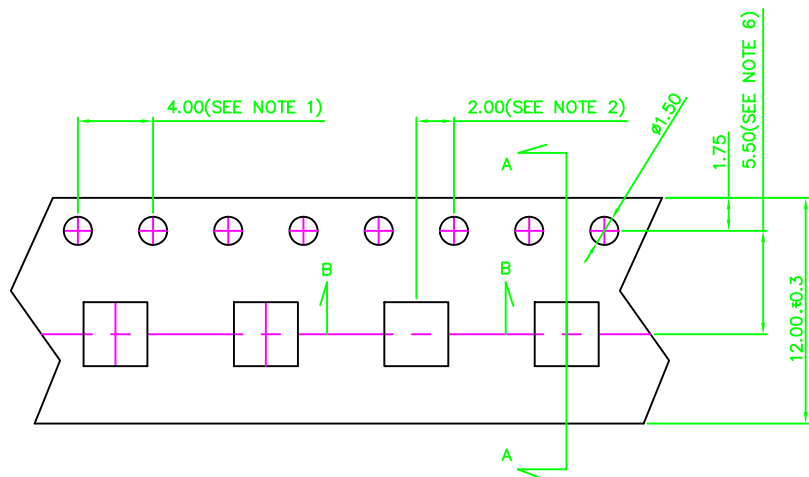
ORDER INFORMATION

UFL-JVR-50-LF
SERIES | LEADFREE
50 OHM
REEL
180°SMT
JACK

煜倫股份有限公司

www.morethanall.com

DESCRIPTION:



SECTION A-A

NOTE: UNLESS OTHERWISE SPECIFIED

1. 10 SPROCKET HOLE PITCH CUMULATIVE TOLERANCE ± 0.2
2. CAMBER NOT TO EXCEED 1MM IN 100MM.
3. MATERIAL: CLEAR ADVANTEK POLYSTYRENE.
4. A AND B MEASURED ON A PLANE 0.3MM ABOVE THE BOTTEM OF THE POCKET.
5. K MEASURED FROM A PLANE ON THE INSIDE BOTTOM OF THE POCKET TO THE TOP SURFACE OF THE CARRIER TAP
6. POCKET POSITION RELATIVE TO SPROCKET HOLE MEASURED AS TRUE POSITION OF POCKET, NOT POCKET HOLE.
7. MINIMUM QUANTITY :330 MM DIA. REEL/5000 PCS.

FIGURE 4

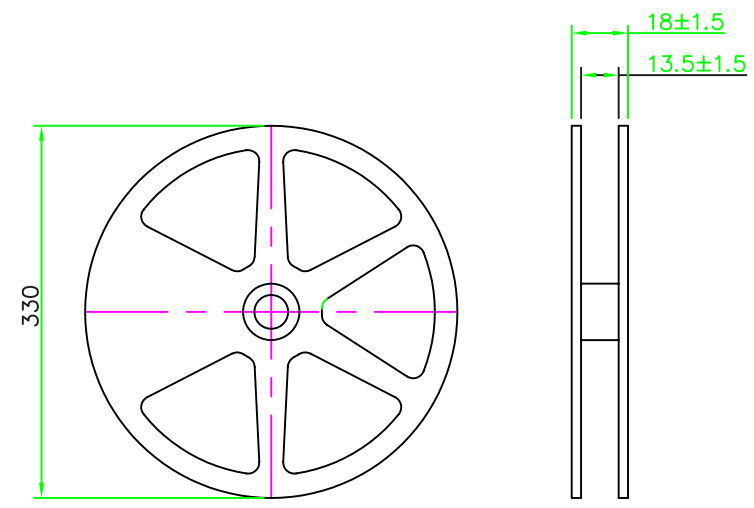


FIGURE 5

RoHS Compliant

TOLERANCES ARE

MORETHANALL
PCB CONNECTORS
Cable ASSEMBLIES

DRAWING BY CY

CHECKED BY GENIUS

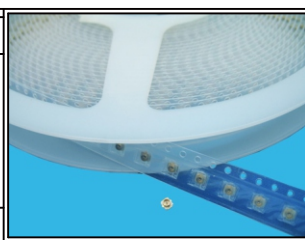
UNIT / mm SCALE 1 : 1

DATE

SIZE A4

X, \pm
.X \pm
.XX \pm
.XXX \pm
ANG \pm

P PROJECTION



ORDER INFORMATION

UFL-JVR-50-LF
SERIES | | | LEADFREE
| | | 50 OHM
| | | REEL
| | | 180°SMT
| | | JACK

DESCRIPTION: PACKAGE DRAWING

煜倫股份有限公司

www.morethanall.com