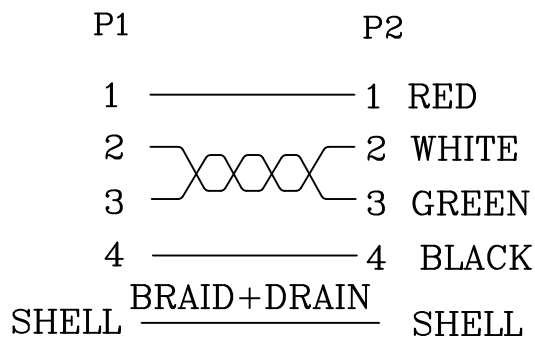


WIRING DIAGRAM



10	TUBE	1	SET	UL/CSA125° 300V Ø1.5*8MM #BK
9	PVC	15	G	45P PVC #GRAY
8	PE	4	G	PE(LD)
7	LABLE	1	SET	J223(10*5)
6	LABLE	1	SET	PRN(10*5)
5	CORE	1	SET	B15 RH 9.8*25*5.2
4	TAPE	1	SET	YELLOW TAPE 471
3	TAPE	2	SET	BLUE TAPE 471
2	CONNECTOR	1 1	SET	USB B TYPE MALE PIN G/F #WHITE USB A TYPE FEMALE PIN G/F #WHITE
1	CABLE	1220	mm	UL2725 28AWG*1P+24#*2C+AB65% OD:4.5MM #GRAY
NO.	PART NO.	Q'TY	UNITS	DESCRIPTION

RoHS Compliant

TOLERANCES ARE



煜倫股份有限公司

www.morethanall.com

DRAWING BY CY

CHECKED BY GENIUS

UNIT / mm

SCALE 1 : 1

DATE

SIZE A4

X. ±
.X ±
.XX ±
.XXX ±
ANG ±

P PROJECTION

照片框

ORDER INFORMATION

UBX2-4A4BFCPE-A1M21-LF

SERIES

LEADFREE

1210mm
MALE TO MALE

PANEL EAR
FERRITE CORE

4 PIN A TYPE TO 4 PIN B TYPE

DESCRIPTION: USB A F/B M+CORE L: 800mm GRAY