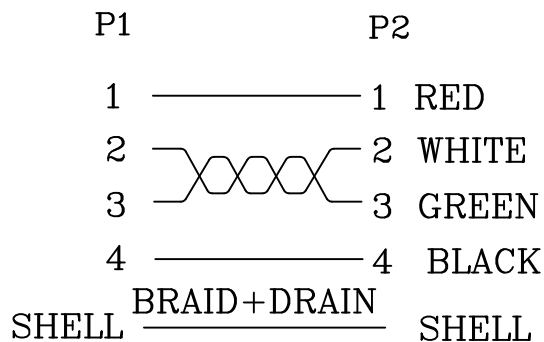


WIRING DIAGRAM



3	PVC	10	G	45P PVC CLR-002
2	CONNECTOR	1	SET	USB B TYPE MALE 30U" #WHITE USB 2.0 USB A TYPE MALE 30U" #WHITE USB 2.0
1	CABLE	200	mm	UL2725 28AWG*1P+24#*2C+AB65% OD:4.5MM USB 2.0 CLR-002
NO.	PART NO.	Q'TY	UNITS	DESCRIPTION

RoHS Compliant

TOLERANCES ARE

**MORETHANALL**  
PCB CONNECTORS  
Cable ASSEMBLIES

煜倫股份有限公司

www.morethanall.com

DRAWING BY CY

CHECKED BY GENIUS

UNIT / mm

SCALE 1 : 1

DATE

SIZE A4

X. ±  
.X ±  
.XX ±  
.XXX ±  
ANG ±

P PROJECTION

照片框

ORDER INFORMATION

UBX2-4A4B2V2428-M3C-LF

SERIES

LEADFREE

300mm

MALE TO MALE

24/28 AWG

2.0 REV

4 PIN A TYPE TO 4 PIN B TYPE

DESCRIPTION: USB A M/B M L: 300mm CLR-002