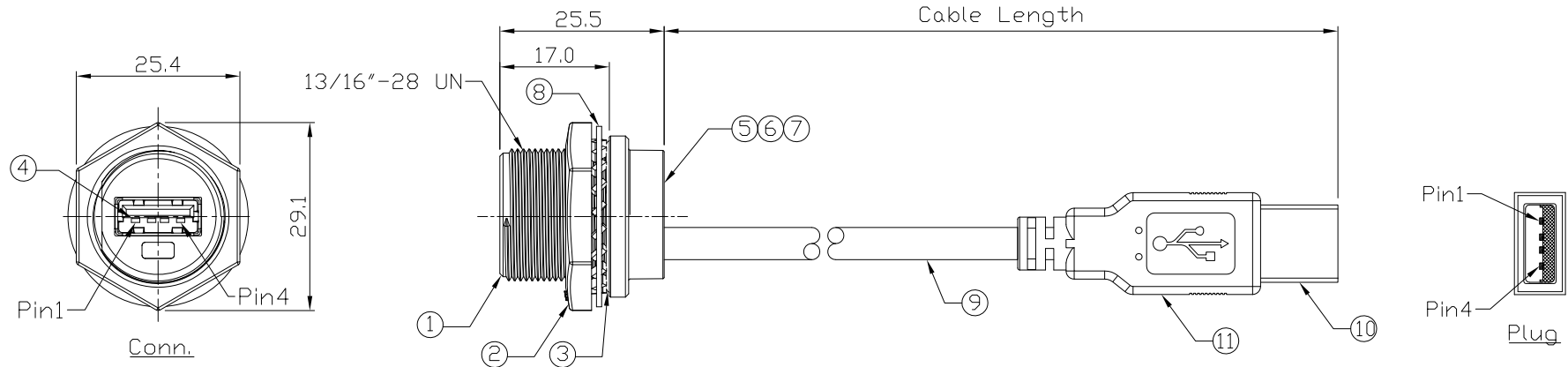
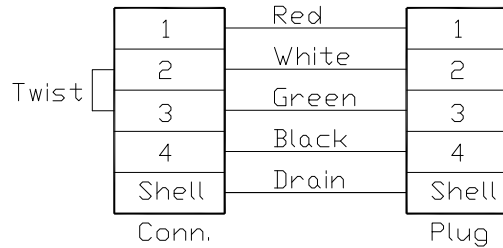


Notes: (Unless Otherwise Specified)

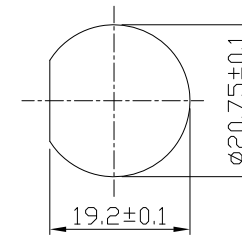
1. Waterproof Rate: IP68.
2. Recommend Panel Thickness: 0.8 to 6.0 mm.
3. Recommend Torque: 19~20 Kgf-cm.
4. RoHS Compliant.



11	Over Mold	PVC Color: Black	1
10	USB-A Plug	Housing: Thermoplastic, Color: Black	1
		Contacts: Copper Alloy, Finish: Au Plated	
		Shell: Cold Roll Steel, Finish: Ni Plated	
9	Cable	UL2725 1P*28AWG+2C*24AWG+Al/My+D+B OD=5.0mm, Color: Black	1
8	Metal Washer	SUS Finish: -	1
7	EMI Shielded Plate	Copper Finish: Ni Plated	1
6	Glue	Epoxy Color: Black	
5	PCB	FR-4 Color: Green	1
4	USB-A Receptacle	Housing: Thermoplastic, Color: Black	1
		Contacts: Copper Alloy, Finish: Au Plated	
		Shell: Copper Alloy, Finish: Ni Plated	
3	O-Ring	Silicone Color: Red	1
2	Hex Nut	Zn Alloy Finish: Ni Plated	1
1	Housing	Zn Alloy Finish: Ni Plated	1
Item	Part Name	Material / Finish	Q'ty



Wiring Diagram



Recommend Panel Cut-Out

1000 mm	±50
900 mm	±40
800 mm	±40
700 mm	±40
600 mm	±40
500 mm	±40
400 mm	±10
300 mm	±10
200 mm	±10
100 mm	±10
Cable Length	Tol.

RoHS Compliant

TOLERANCES ARE

**MORETHANALL**  
PCB CONNECTORS  
Cable ASSEMBLIES

煜倫股份有限公司

www.morethanall.com

DRAWING BY CY

CHECKED BY GENIUS

UNIT / mm SCALE 1 : 1

DATE

SIZE A4

X, ±  
.X ± 0.50  
.XX ± 0.20  
.XXX ± 0.05  
ANG ± 1°

PJECTION

照片框

ORDER INFORMATION

UBWPUB-4A4A2428FMM-Exxx-LF

SERIES

4PIN TO 4 PIN A TYPE

24,28AWG

LEADFREE  
10C: 00mm  
1M: 1000mm  
MALE TO FEMALE  
SCREW/ON  
FULL METAL

DESCRIPTION: USB-A Metal C3 Panel Jack Screw + USB-A Plug With Cable