

Material:

Housing: PBT, UL94V-0.

Contacts: Brass.

Lock: Copper Alloy.

Electrical Characteristics:

Current Rating: 2 AMP.

Dielectric Withstanding Voltage: AC 1000V For 1 minute.

Insulation Resistance: 1000M Ω min. at DC 500V.

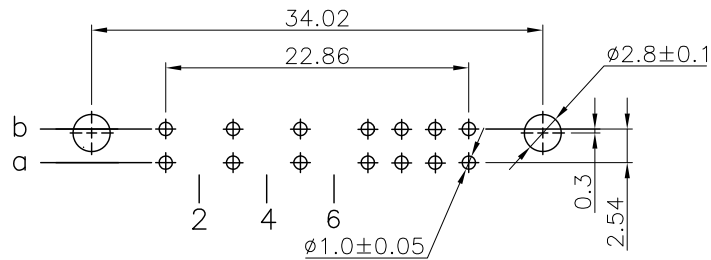
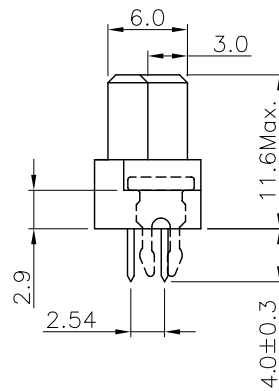
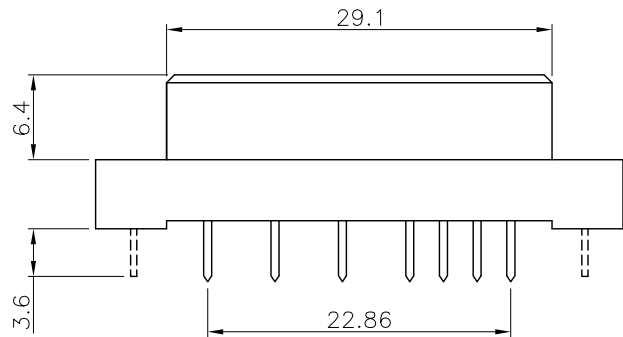
Contact Resistance: 20m Ω max. at DC 100mA.

Operating Temperature: -55°C~+125°C.

***RoHS Compliant**

NOTE:

a2,b2,a4,b4,a6,b6 Without Contact.



P.C.Board Layout

RoHS Compliant

TOLERANCES ARE



煜倫股份有限公司

www.morethanall.com

DRAWING BY CY

CHECKED BY GENIUS

UNIT / mm SCALE 1 : 1

DATE

SIZE A4

X. ± 0.50

.X ± 0.25

.XX ± 0.15

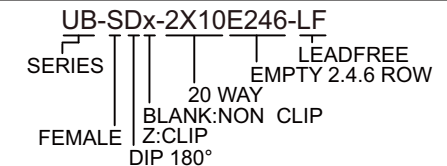
.XXX ±

ANG ±

PJECTION

照片框

ORDER INFORMATION



DESCRIPTION: