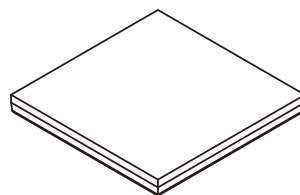
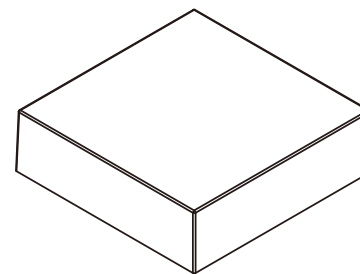


Switch



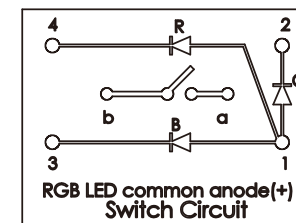
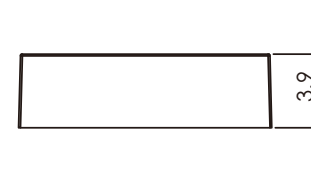
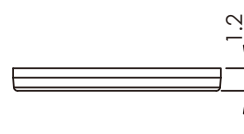
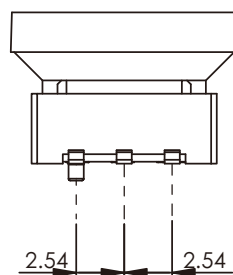
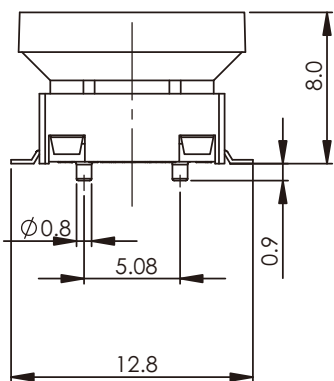
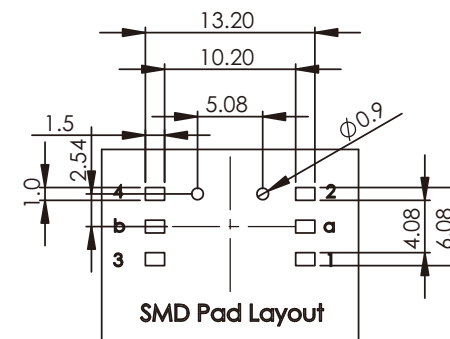
Cap

□11.0

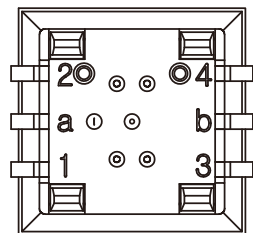


Cover

□13.4



Contact configuration



RoHS Compliant

TOLERANCES ARE

MORETHANALL
PCB CONNECTORS
Cable ASSEMBLIES

DRAWING BY CY

X. ± 0.50

CHECKED BY GENIUS

.X ± 0.20

UNIT / mm

SCALE 1 : 1

.XXX ±

DATE

ANG ±

照片框

煜倫股份有限公司

www.morethanall.com

SIZE A4

PJECTION

ORDER INFORMATION

TSWL1212-V080PCR-220RGB-LF

SERIES

180°SMT

HIGH 8.9mm

REEL

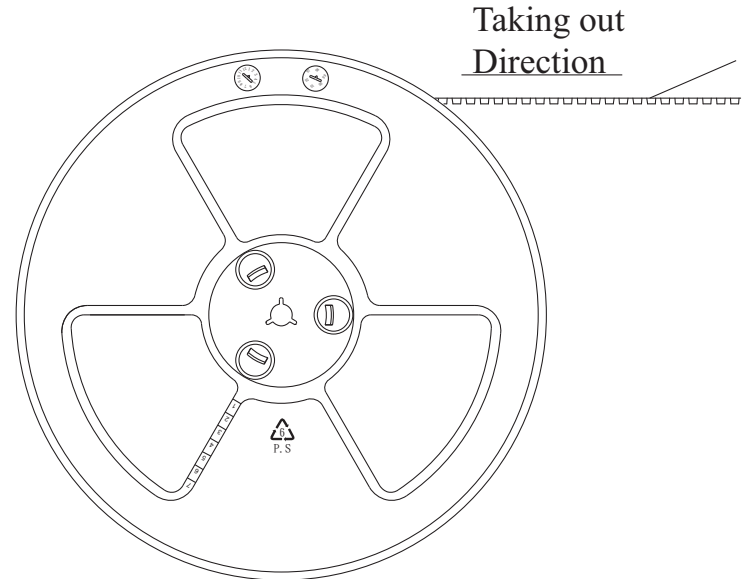
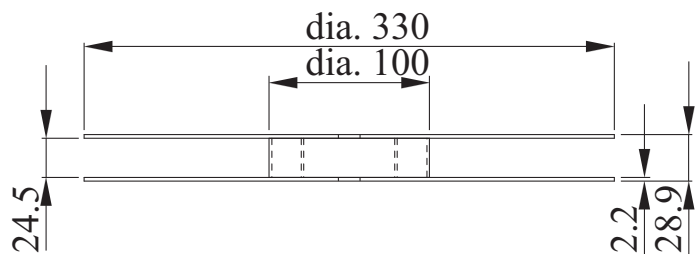
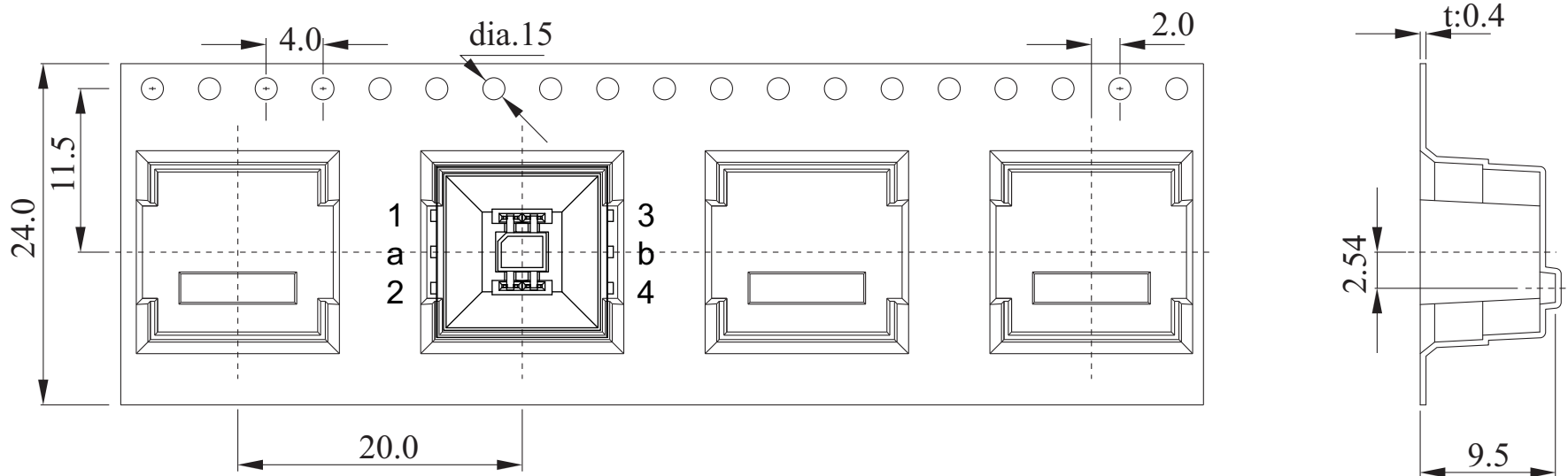
CAP

POST

220gf

LEADFREE
RED/GREEN/BLUE

DESCRIPTION: SPD 12*12(Tapping reel) RGB(com.+)Led White Cap/Cover



350 Pcs/Reel

RoHS Compliant

TOLERANCES ARE

MORETHANALL
PCB CONNECTORS
Cable ASSEMBLIES

DRAWING BY CY

X. ± 0.50

CHECKED BY GENIUS

.X ± 0.20

UNIT / mm

SCALE 1 : 1

.XXX ±

DATE

ANG ±

煜倫股份有限公司

www.morethanall.com

SIZE A4

P PROJECTION

照片框

ORDER INFORMATION

TSWL1212-V080PCR-220RGB-LF

SERIES

180°SMT
HIGH 8.9mm

REEL

CAP
POST

220gf

LEADFREE
RED/GREEN/BLUE

DESCRIPTION: SPD 12*12(Tapping reel) RGB(com.+)Led White Cap/Cover