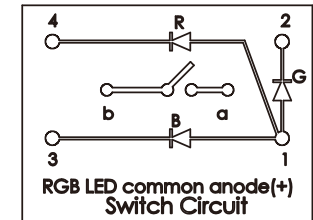
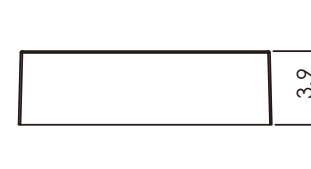
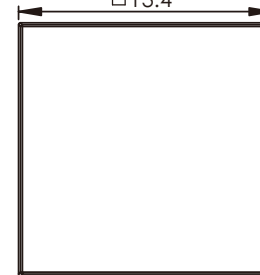
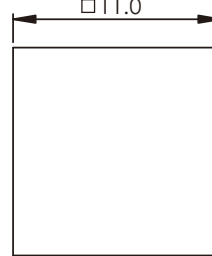
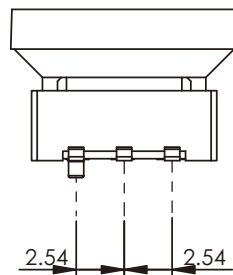
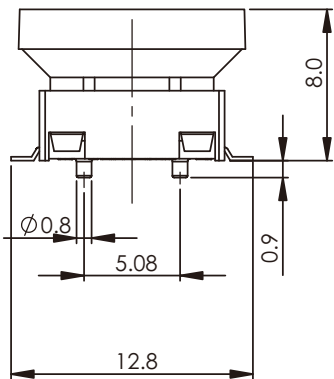
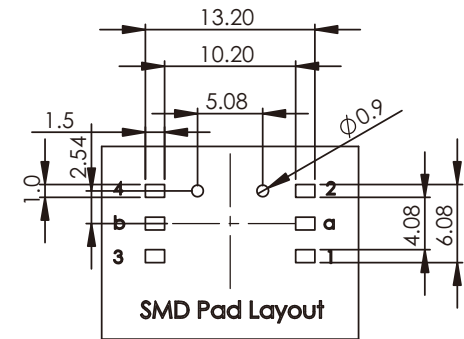


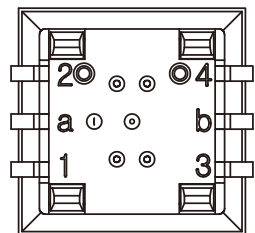
Switch

Cap

Cover



Contact configuration



RoHS Compliant

TOLERANCES ARE

**MORETHANALL**  
PCB CONNECTORS  
Cable ASSEMBLIES

DRAWING BY CY

X. ± 0.50

CHECKED BY GENIUS

.X ± 0.20

UNIT / mm

SCALE 1 : 1

.XXX ±

DATE

ANG ±

照片框

ORDER INFORMATION

TSWL1212-V080PC-220RGB-LF

SERIES

LEADFREE  
RED/GREEN/BLUE

180°SMT  
CAP  
POST  
HIGH 8.9mm

220gf

煜倫股份有限公司

www.morethanall.com

SIZE A4

PJECTION

DESCRIPTION: SPD 12\*12(Tapping reel) RGB(com.+)Led White Cap/Cover