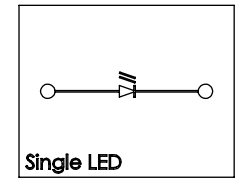
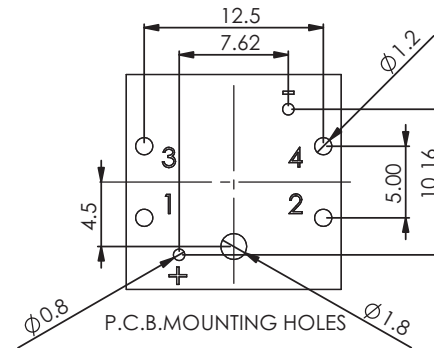
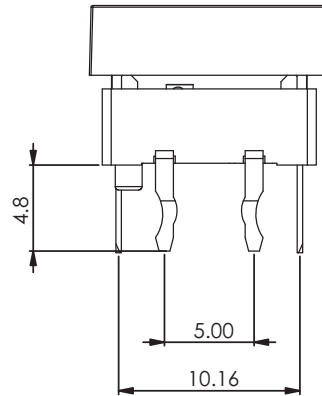
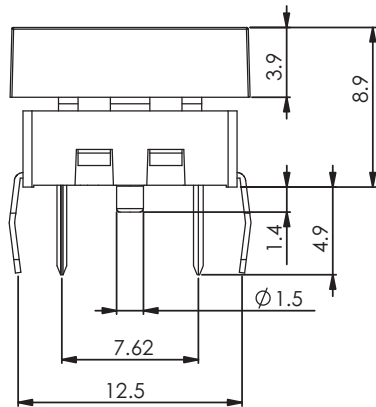
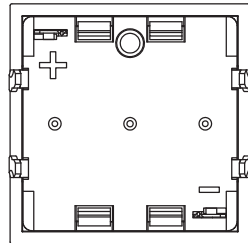


Contact Configuration



LED CONFIGURATION



RoHS Compliant

TOLERANCES ARE

MORETHANALL
PCB CONNECTORS
Cable ASSEMBLIES

DRAWING BY CY

X. ± 0.50

CHECKED BY GENIUS

.X ± 0.20

UNIT / mm

SCALE 1 : 1

.XX ± 0.05

DATE

.XXX ±

ANG ±

照片框

ORDER INFORMATION

TSWL1212-D089PC-300RD-LF

SERIES

DIP 180°

CAP

POST

HIGH 8.9mm

300gf

RED

LEADFREE

煜倫股份有限公司

www.morethanall.com

SIZE A4

P PROJECTION

DESCRIPTION: