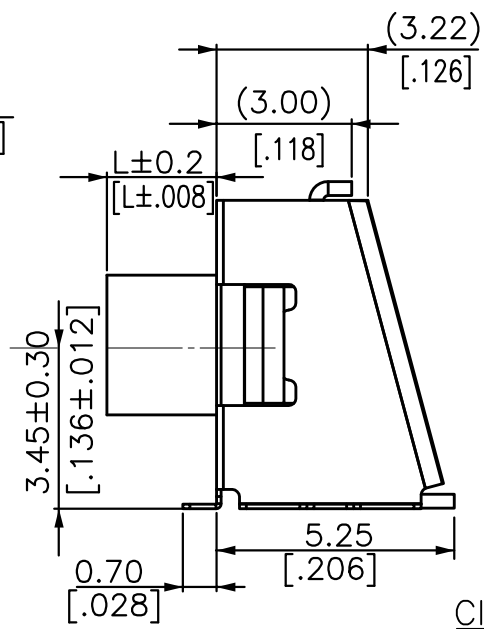
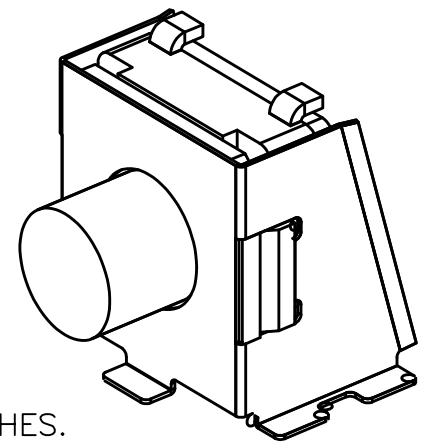


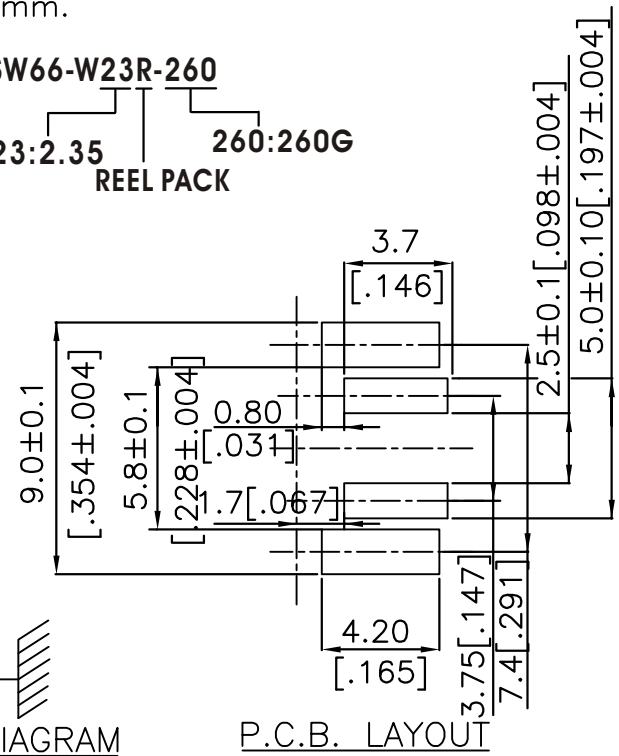
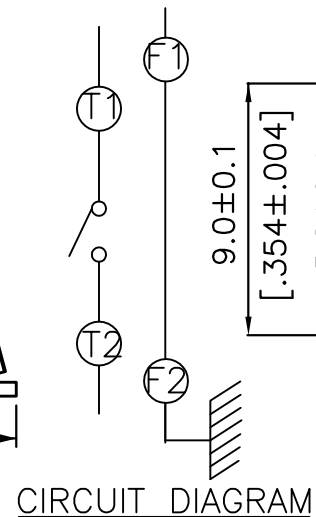
NOTE:  
1.

PROD. NO.	L(mm)	L(inch)
TSW66-W00R-260	0.00	0.0000
TSW66-W08R-260	0.80	0.0314
TSW66-W10R-260	1.00	0.0393
TSW66-W23R-260	2.35	0.0925

2. ALL DIMENSIONS ARE IN MILLIMETERS.  
BRACKETED DIMENSIONS ARE IN INCHES.  
3. GENERAL TOLERANCES  $\pm 0.20$ mm.



TSW66-W23R-260  
23:2.35 REEL PACK 260:260G



**MORETHANALL**  
CONNECTORS  
ASSEMBLIES

PART NO. TSW66-WxxR-260

DWG NO. TSW66-WxxR-260

FILE NO.

UNIT / mm

SCALE 1:1

CHECKED BY CY

DRAWING BY

PROJECTION

TOLERANCES ARE

.X  $\pm 0.2$   
.XX  $\pm$   
.XXX  $\pm$   
AWG

DESCRIPTION:

AREA

REVISIONS

HK

DATE

焯倫股份有限公司