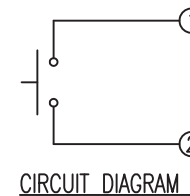
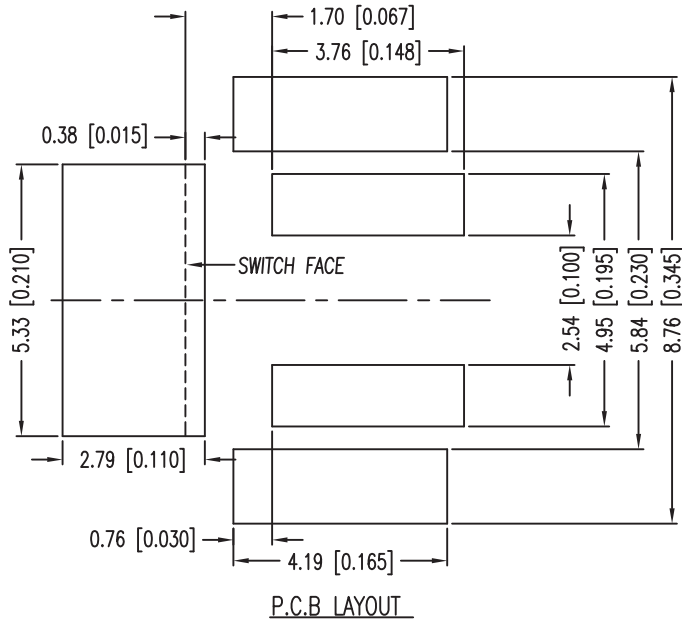
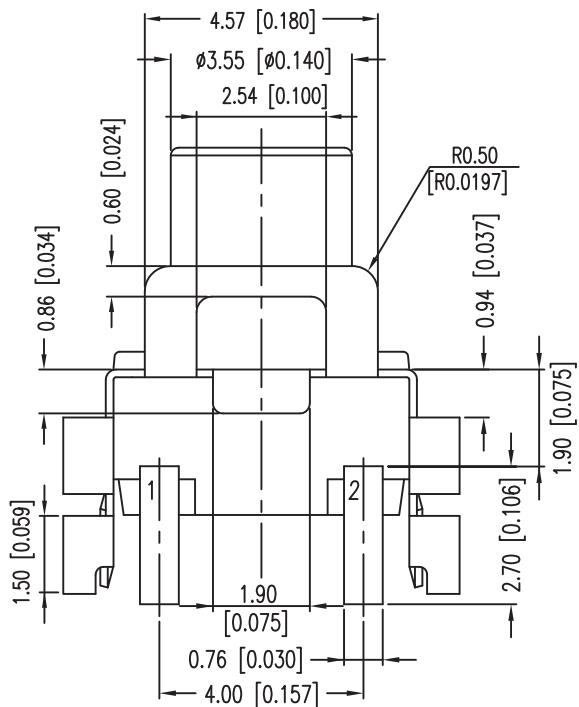


NOTE:  
 1. ALL DIMENSIONS ARE IN MILLIMETERS, BRACKETED DIMENSIONS ARE IN INCHES.  
 2. GENERAL TOLERANCES MAX. ±0.20mm.

TSW66-W43xx-xxx-LF  
 LEADFREE  
 WH: WHITE 185g  
 RD: RED 260g  
 RoHS Compliant



**MORETHANALL**  
 CONNECTORS  
 ASSEMBLIES

焯倫股份有限公司

PART NO. TSW66-W43xx-xxx

DWG NO. TSW66-W43xx-xxx

FILE NO.

UNIT / mm

CHECKED BY CY

DRAWING BY

SCALE 1:1

PROJECTION



TOLERANCES ARE

- X. ±
- .X ±
- .XX ±
- .XXX ±
- ANG

DESCRIPTION: 6X6 Right Angle Type  
 With Supporting Terminals & Tab Available

AREA	REVISIONS	DATE
------	-----------	------