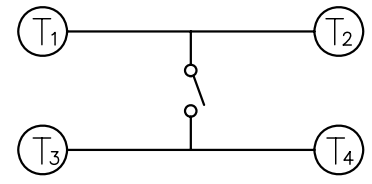
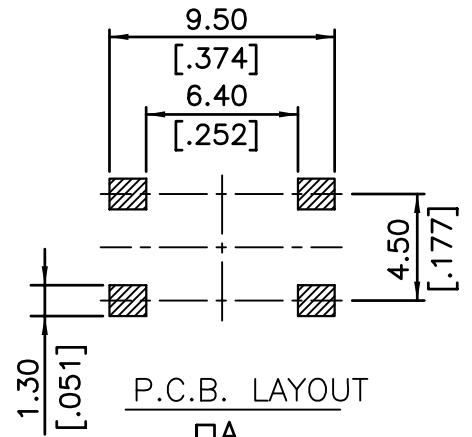
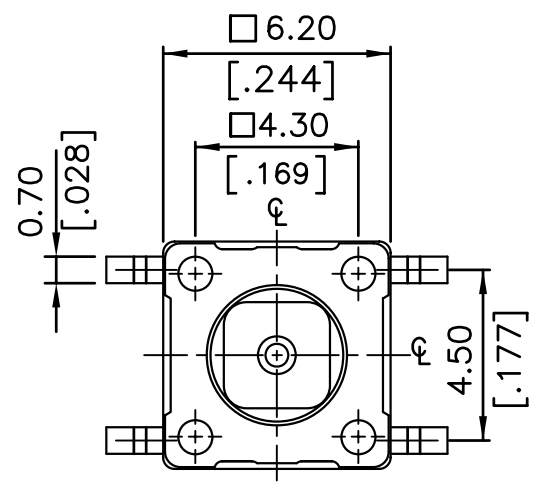
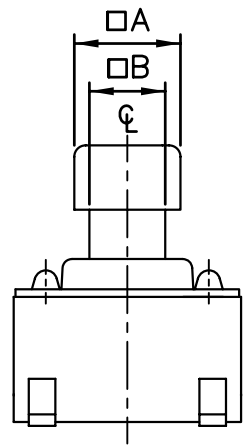
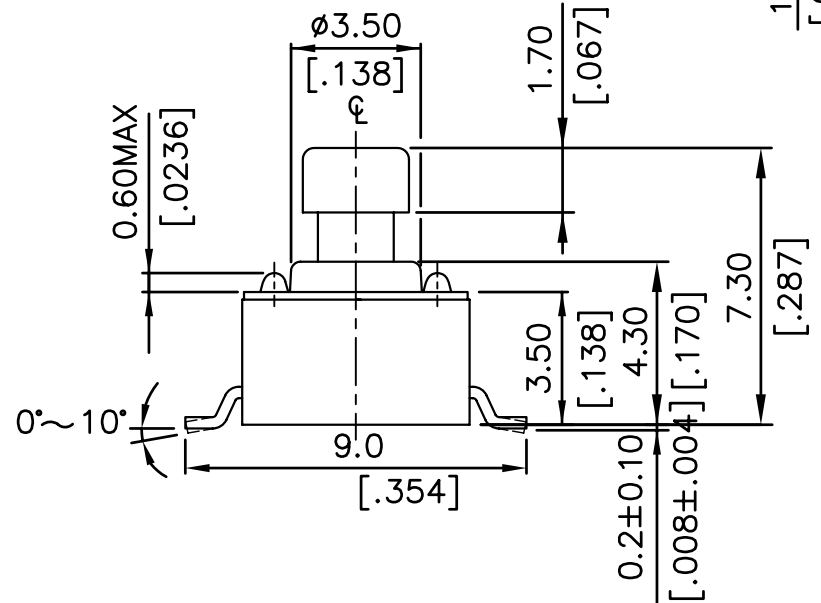


NOTE:

1. ALL DIMENSIONS ARE IN MILLIMETERS, BRACKETED DIMENSIONS ARE IN INCHES.
2. GENERAL TOLERANCES MAX. ±0.20mm.



CIRCUIT DIAGRAM



TSW66-V73-100-LF
LEADFREE
RoHS Compliant

MORETHANALL
CONNECTORS
ASSEMBLIES

PART NO. TSW66-V73-100

DWG NO. TSW66-V73-100

FILE NO.

CHECKED BY CY

DRAWING BY

TOLERANCES ARE
.X ± 0.2
.XX ±
.XXX ±
AWG

DESCRIPTION: **TACTILE SWITCH 6X6
(MECHANICAL CONTACT TYPE)**

煜倫股份有限公司

UNIT / mm

SCALE 1:1

PROJECTION

AREA	REVISIONS	HK	DATE
------	-----------	----	------