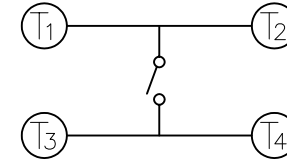
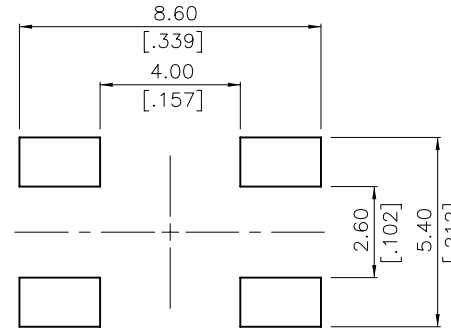
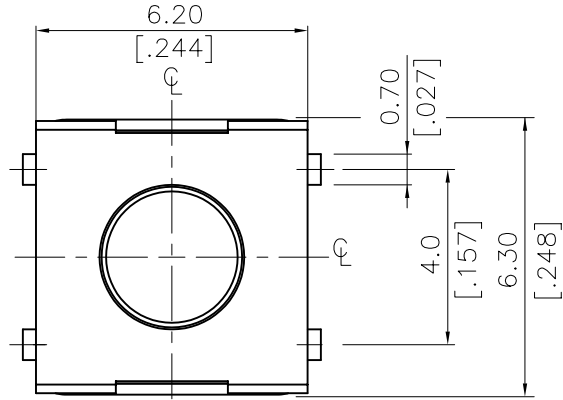


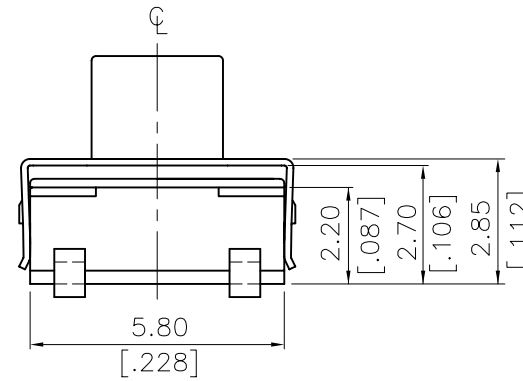
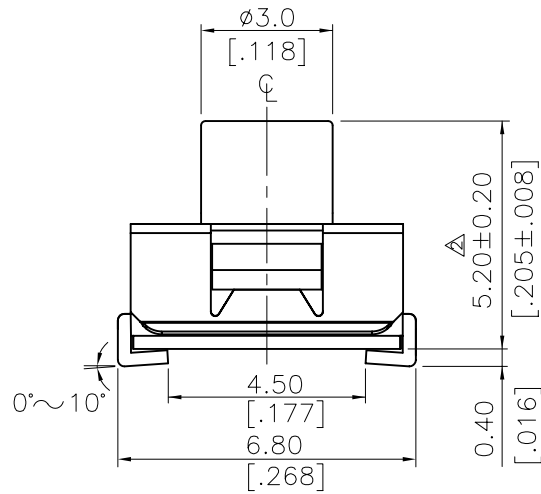
NOTE:

1. ALL DIMENSIONS ARE IN MILLIMETERS, BRACKETED DIMENSIONS ARE IN INCHES.
2. GENERAL TOLERANCES MAX.±0.20mm.



P.C.B. LAYOUT SCALE 8:1

CIRCUIT DIAGRAM



TSW66-V52J-xxx-LF
LEADFREE
180:180g
260:260g
360:360g

MORETHANALL
CONNECTORS
ASSEMBLIES

煜倫股份有限公司

PART NO. TSW66-V52J-xxx

DWG NO. TSW66-V52J-xxx

FILE NO.

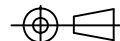
UNIT / mm

SCALE 1:1

CHECKED BY CY

DRAWING BY

PROJECTION



TOLERANCES ARE

.X±0.2
.XX±0.1
.XXX±
AWG

RoHS Compliant

DESCRIPTION:

TACT SWITCH 6X6 WASHABLE
J TYPE (H=5.20mm)

AREA

REVISIONS

HK

DATE