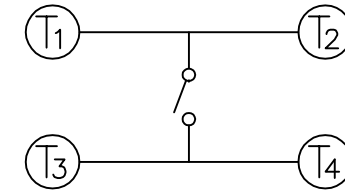
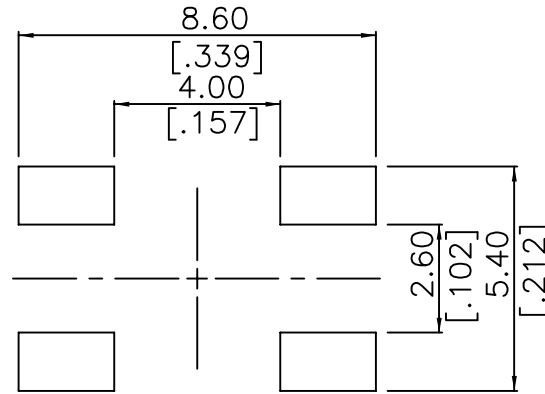
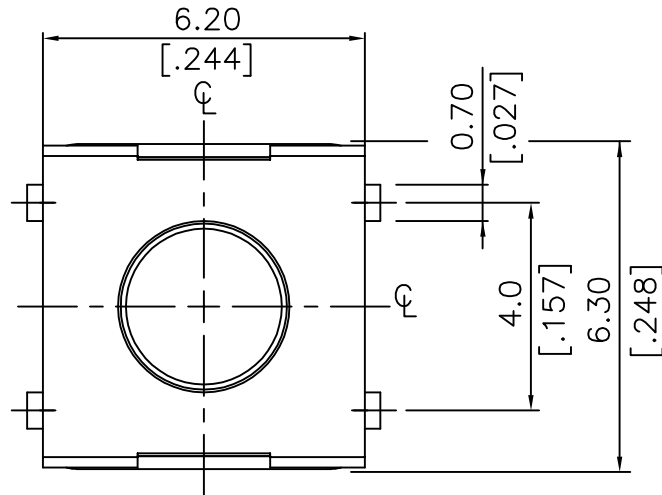


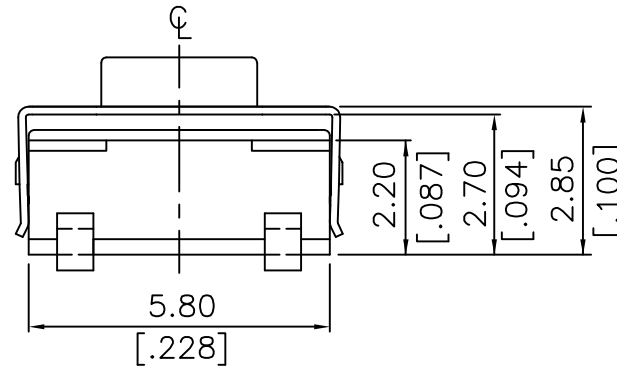
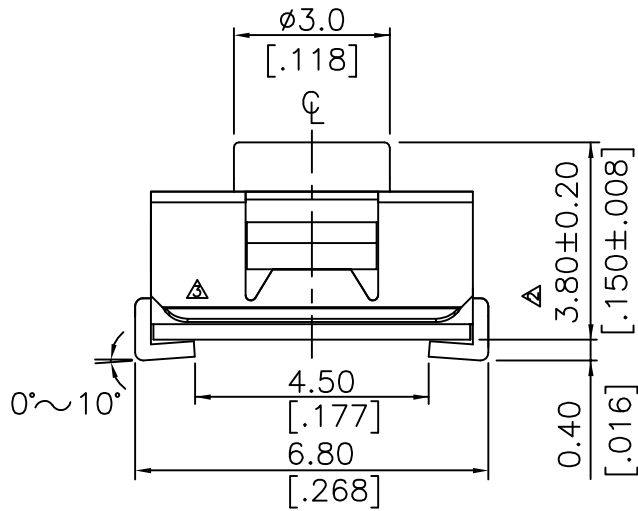
NOTE:

1. ALL DIMENSIONS ARE IN MILLIMETERS, BRACKETED DIMENSIONS ARE IN INCHES.
2. GENERAL TOLERANCES MAX.±0.20mm.
3. MATERIAL & □ : SEE PAGE 3 OF 3.



P.C.B. LAYOUT SCALE 8:1

CIRCUIT DIAGRAM



TSW66-V38J-360-LF
LEADFREE
RoHS Compliant



PART NO. TSW66-V38J-360

DWG NO. TSW66-V38J-360

FILE NO.

CHECKED BY CY

DRAWING BY

TOLERANCES ARE

.X ± 0.2
.XX ±
.XXX ±
AWG

DESCRIPTION:

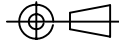
**TACT SWITCH 6X6 WASHABLE
J TYPE (H=3.80mm)**

煜倫股份有限公司

UNIT / mm

SCALE 1:1

PROJECTION



AREA

REVISIONS

HK

DATE