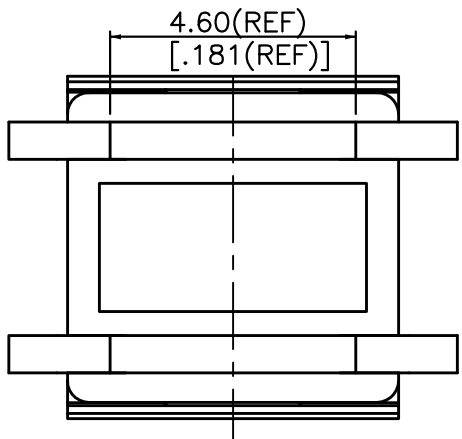
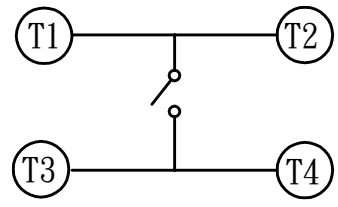


P.C.B. LAYOUT



TSW66-V20-xxx-LF
LEADFREE
070:70g
100:100g
160:160g
320:320g
520:520g
RoHS Compliant



CIRCUIT DIAGRAM

NOTE:
1. ALL DIMENSIONS ARE IN MILLIMETERS, BRACKETED DIMENSIONS ARE IN INCHES.
2. GENERAL TOLERANCES ±0.20mm.



PART NO. TSW66-V20-xxx		CHECKED BY CY		TOLERANCES ARE .X ± 0.2 .XX ± .XXX ± AWG	DESCRIP TION:	AREA	REVISIONS	HK	DATE
DWG NO. TSW66-V20-xxx		DRAWING BY							
FILE NO.		PROJECTION							
UNIT / mm	SCALE 1:1								

煜倫股份有限公司