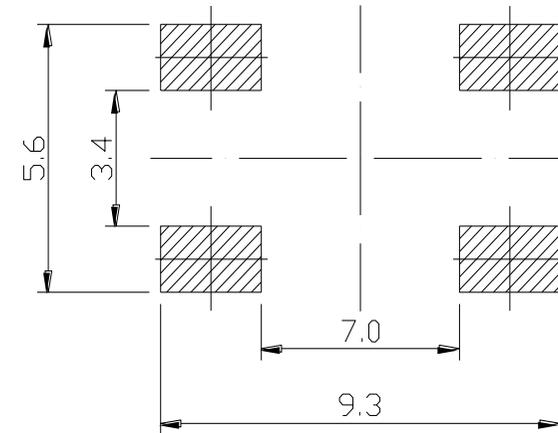
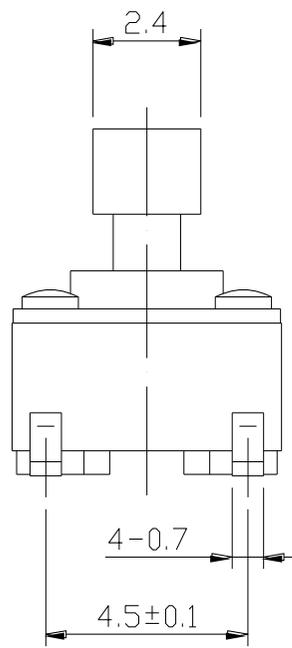
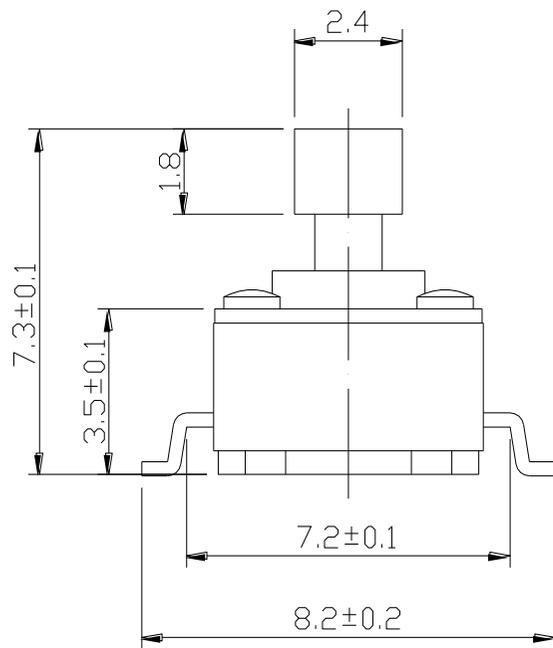


CIRCUIT DIAGRAM



P.C.B LAND DIMENSION



NOTE

1. RATING : DC 12V 50mA
2. CONTACT RESISTANCE : 100m
3. GENERAL TOLERANCE : ±0.3
4. MANUFACTURING SPECIFICATION WOULD BE ACCORDANCE WITH WT0158

RoHS Compliant

TOLERANCES ARE

**MORETHANALL**  
PCB CONNECTORS  
Cable ASSEMBLIES

DRAWING BY CY

CHECKED BY GENIUS

UNIT / mm SCALE 1 : 1

DATE

SIZE A4

X, ±  
.X ±  
.XX ±  
.XXX ±  
ANG ±

P PROJECTION

照片框

ORDER INFORMATION

TSW66-V073R-160-LF

SERIES REEL LEADFREE  
160g  
7.3mmHIGH  
180°SMT

煜倫股份有限公司

www.morethanall.com

DESCRIPTION:

