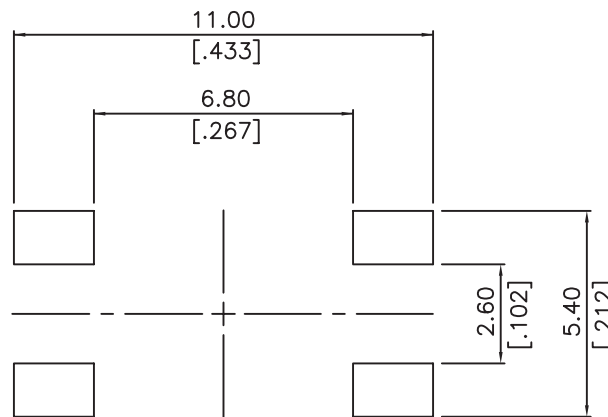
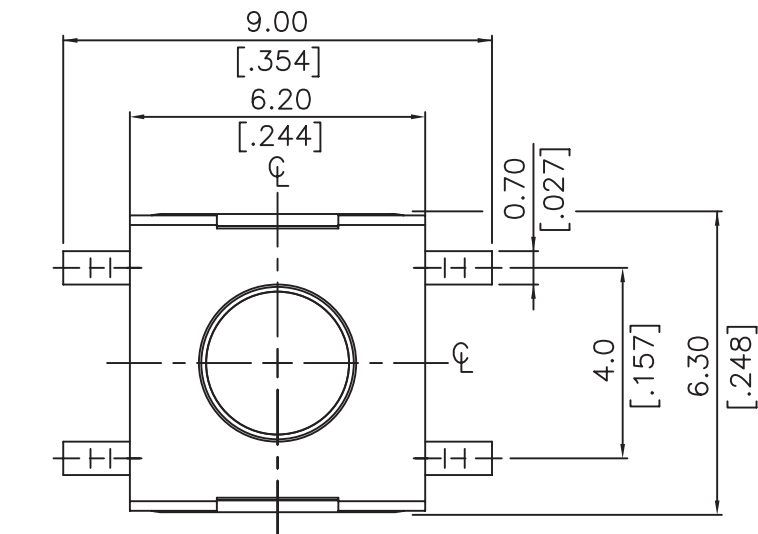


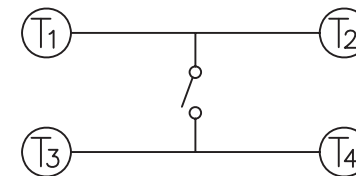
NOTE:

1. ALL DIMENSIONS ARE IN MILLIMETERS, BRACKETED DIMENSIONS ARE IN INCHES.
2. GENERAL TOLERANCES MAX.±0.20mm.

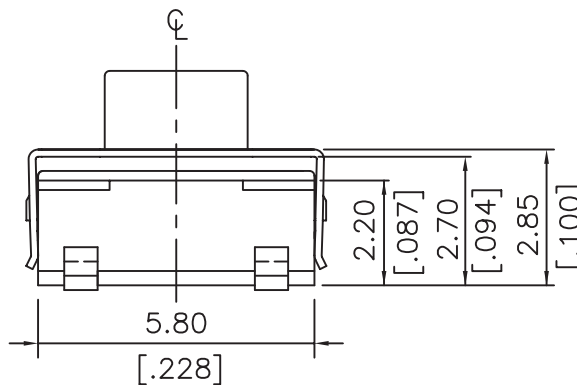
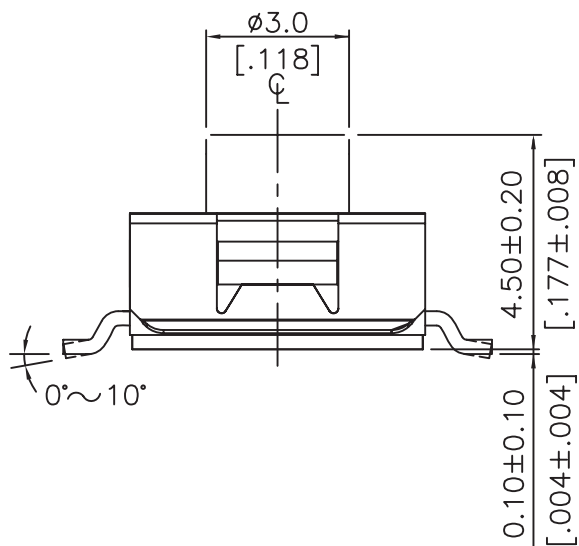


(SCALE 8:1)

P.C.B. LAYOUT



CIRCUIT DIAGRAM



TSW66-V045-260-LF
LEADFREE
RoHS Compliant

MORETHANALL
CONNECTORS
ASSEMBLIES

PART NO. TSW66-V045-260

DWG NO. TSW66-V045-260

FILE NO.

CHECKED BY CY

DRAWING BY

TOLERANCES ARE

- X.±
- .X±
- .XX±
- .XXX±
- ANG

DESCRIPTION: TACT SWITCH 6X6 SMT/WASHABLE TYPE (H=4.50mm)

煜倫股份有限公司

UNIT / mm

SCALE 1:1

PROJECTION

AREA

REVISIONS

DATE