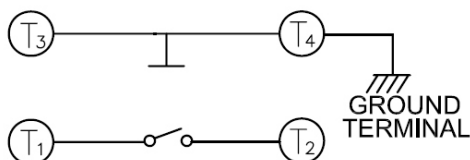
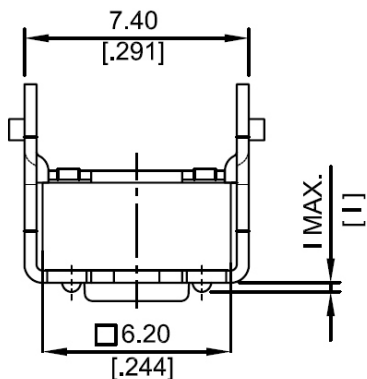
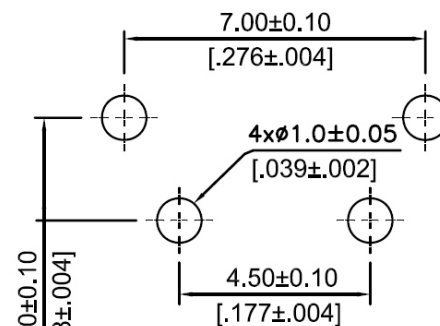


NOTE:

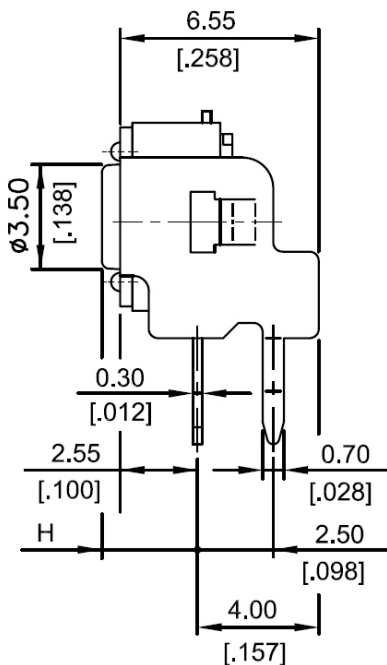
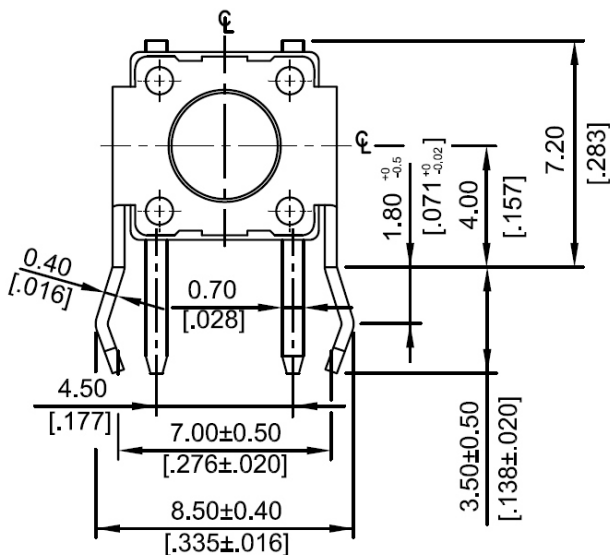
1. ALL DIMENSIONS ARE IN MILLIMETERS, BRACKETED DIMENSIONS ARE IN INCHES.
2. GENERAL TOLERANCES MAX.±0.20mm.



CIRCUIT DIAGRAM



P.C.B. LAYOUT



TSW66-R38-118-160	0.4 MAX	.016 MAX
TSW66-R31-160	0.3 MAX	.012 MAX
PROD.	NO.	I
		INCHES.

TSW66-R118-160	11.85 [0.467]
TSW66-R83-160	8.35 [0.329]
TSW66-R58-160	5.85 [0.230]
TSW66-R38-160	3.85 [0.152]
TSW66-R31-160	3.15 [0.124]
PROD.	NO.
	H

RoHS Compliant

TOLERANCES ARE

MORETHANALL
PCB CONNECTORS
Cable ASSEMBLIES
煜倫股份有限公司

DRAWING BY CY
CHECKED BY GENIUS
UNIT / mm SCALE 1 : 1
DATE

X. ±
.X ±
.XX ±
.XXX ±
ANG ±

照片框

ORDER INFORMATION

TSW66-Rxx-160-LF
SERIES | LEADFREE
160:160g
31:3.15mm
38:3.85mm
58:5.85mm
83:8.35mm
118:11.85mm
DIP 90°

www.morethanall.com

SIZE A4 PPROJECTION

DESCRIPTION: