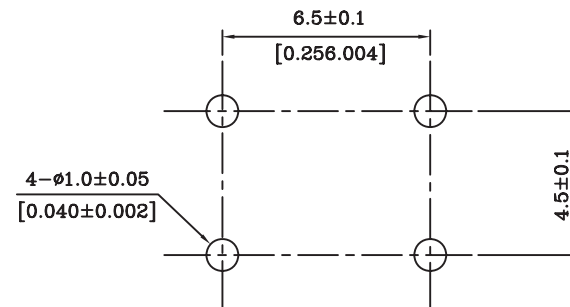
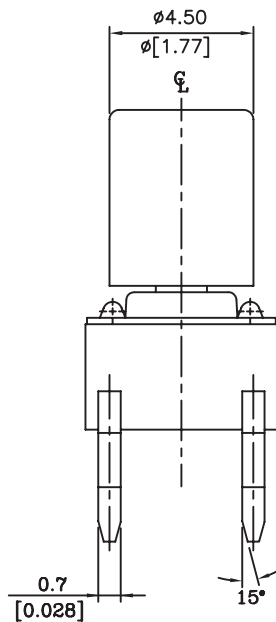
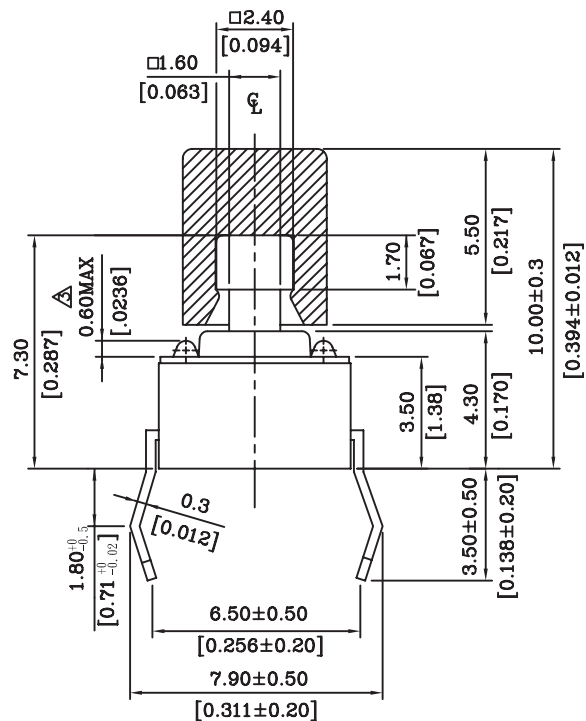
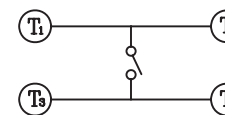


**NOTE:**

1. ALL DIMENSIONS ARE IN MILLIMETERS, BRACKETED DIMENSIONS ARE IN INCHES.
2. GENERAL TOLERANCES MAX. ±0.20mm.
3. MATERIAL & □: SEE PAGE 3 OF 3.



P.C.B LAYOUTV



CIRCUIT DIAGRAM

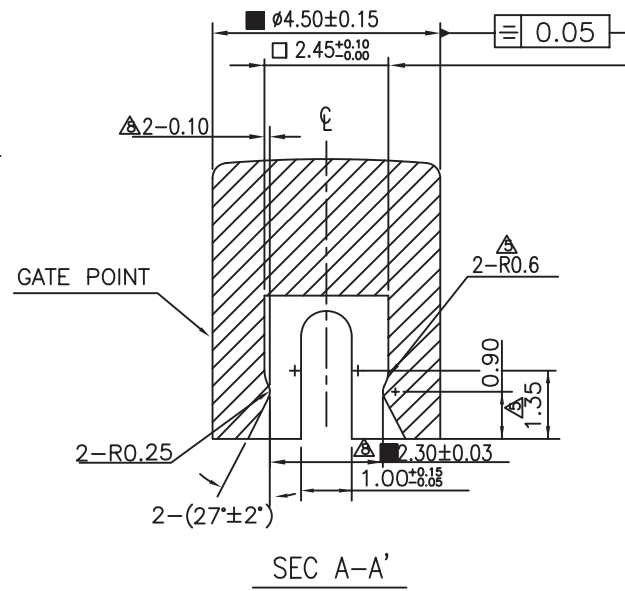
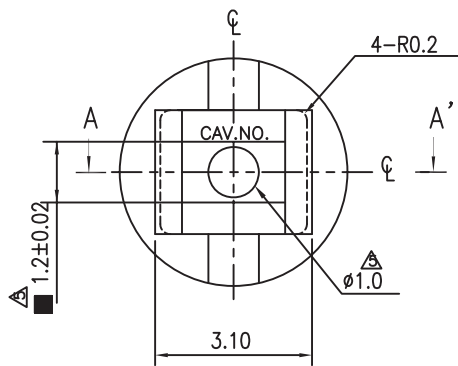
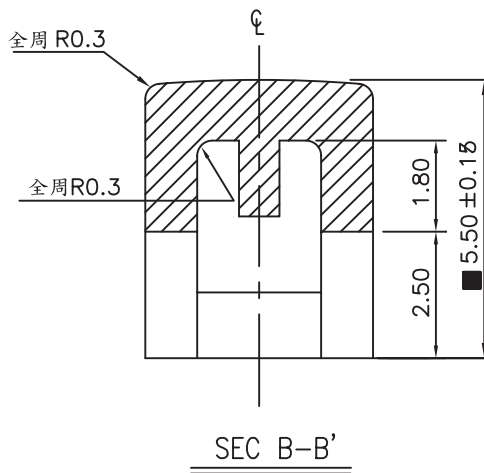
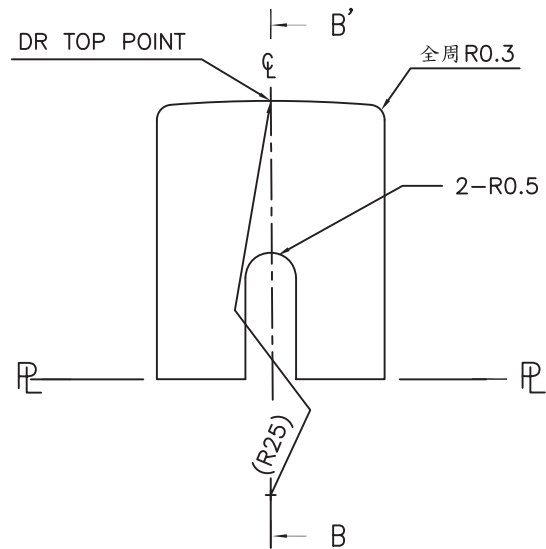
**MORETHANALL**  
CONNECTORS  
ASSEMBLIES

煜倫股份有限公司

|                        |            |
|------------------------|------------|
| PART NO. TSW66-KR45-xx |            |
| DWG NO. TSW66-KR45-xx  |            |
| FILE NO.               | SCALE 1:1  |
| UNIT / mm              | PROJECTION |

|               |  |
|---------------|--|
| CHECKED BY CY | TOLERANCES ARE<br>X. ±<br>.X ±<br>.XX ±<br>.XXX ±<br>ANG |
| DRAWING BY    |  |
| PROJECTION    |  |

|  |           |      |  |
|--|-----------|------|--|
| DESCRIPTION: (MECHANICAL CONTACT TYPE) |           |      |  |
| AREA                                   | REVISIONS | DATE |  |



NOTE :

1. General Tolerance: ±0.05mm MAX.

TSW66-KR45-xx-LF  
LEADFREE

|    | COLOR         | TYPE |
|----|---------------|------|
| YL | 黄色 ( YELLOW ) | 方形   |
| BL | 蓝色 ( BLUE )   |      |
| RD | 红色 ( RED )    |      |
| IV | 象牙色 ( IVORY ) |      |
| BK | 黑色 ( BLACK )  |      |
| GR | 绿色 ( GREEN )  |      |
| OR | 橙色 ( SALMON ) |      |
| GE | 灰色 ( GREY )   |      |

RoHS Compliant

**MORETHANALL**  
CONNECTORS  
ASSEMBLIES

PART NO. TSW66-KR45-xx

DWG NO. TSW66-KR45-xx

FILE NO.

CHECKED BY CY

DRAWING BY

TOLERANCES ARE

X. ±  
.X ±  
.XX ±  
.XXX ±  
ANG

DESCRIPTION: CAP (DTSK TYPE) 6X6

焯倫股份有限公司

UNIT / mm

SCALE 1:1

PROJECTION

AREA

REVISIONS

DATE