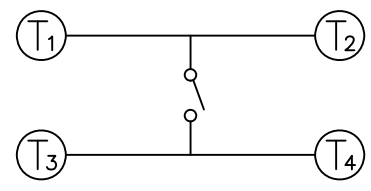
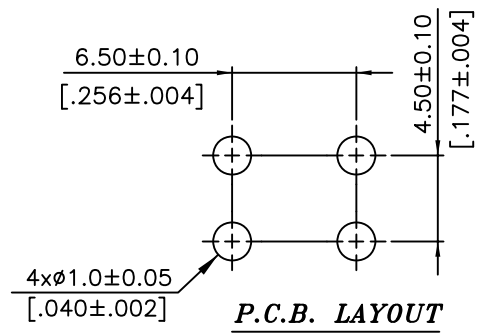
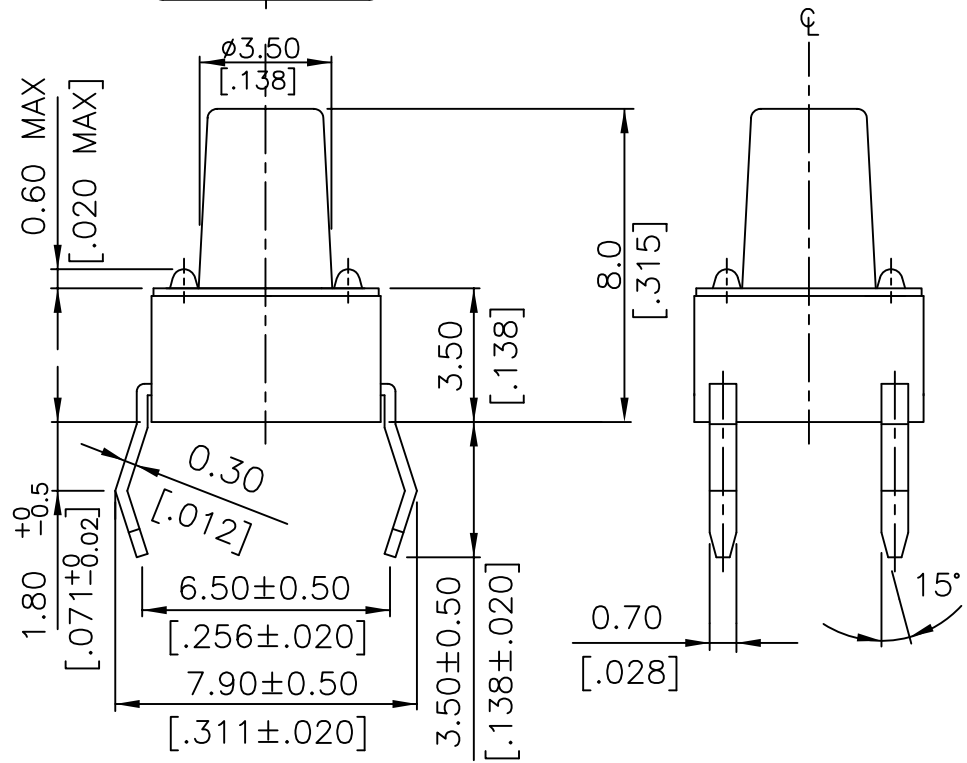


NOTE:

1. ALL DIMENSIONS ARE IN MILLIMETERS, BRACKETED DIMENSIONS ARE IN INCHES.
2. GENERAL TOLERANCES MAX. ±0.20mm.



CIRCUIT DIAGRAM



P.C.B. LAYOUT

TSW66-DQ080-xxx-LF
LEADFREE

100:100g BLACK
160:160g BROWN
260:260g RED
320:320g SALMON
520:520g YELLOW

RoHS Compliant

	PART NO. TSW66-DQ080-xxx		TOLERANCES ARE X. ± .X ± .XX ± .XXX ± ANG	DESCRIPTION:	TACTILE SWITCH 6X6 MECHANICAL CONTACT TYPE		
	DWG NO. TSW66-DQ080-xxx				CHECKED BY CY	AREA	REVISIONS
焯倫股份有限公司	FILE NO.		DRAWING BY	PROJECTION			
	UNIT / mm	SCALE 1:1					