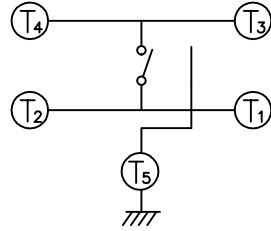
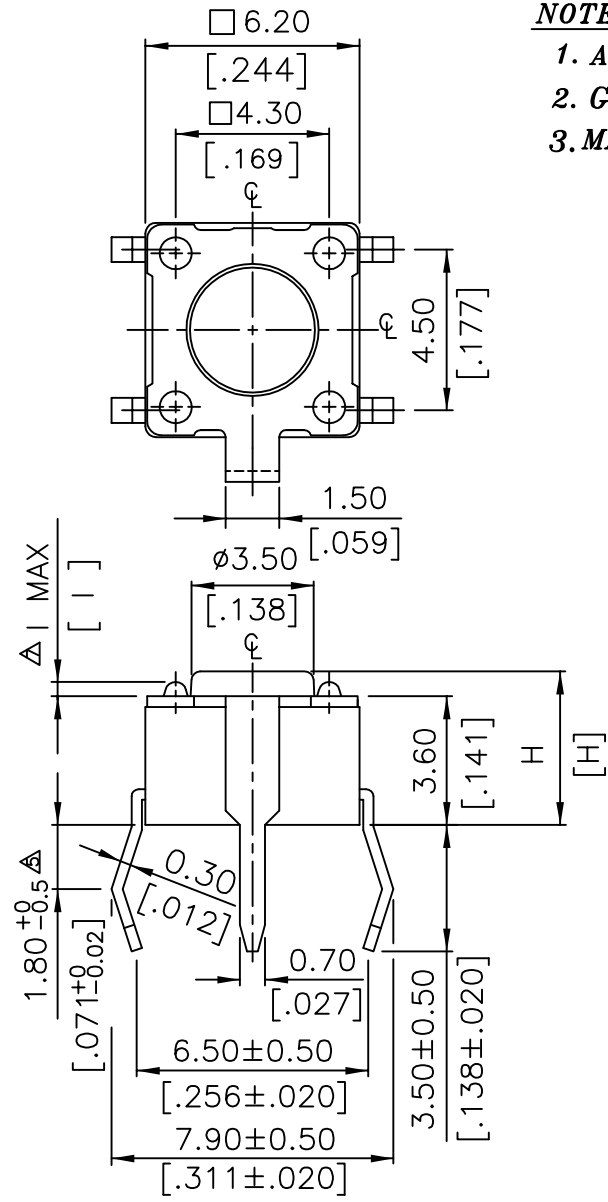
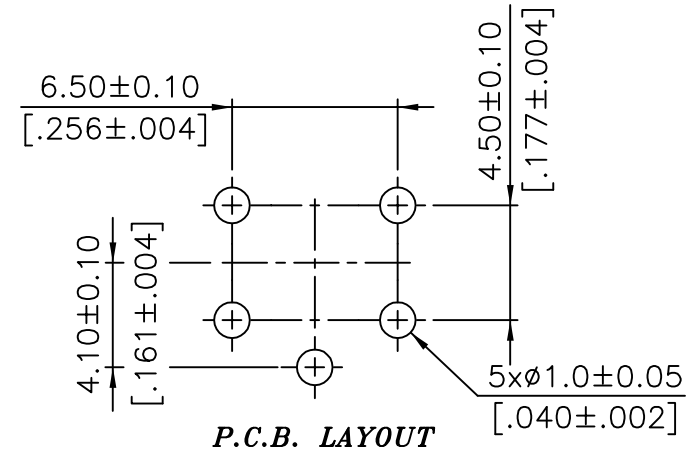
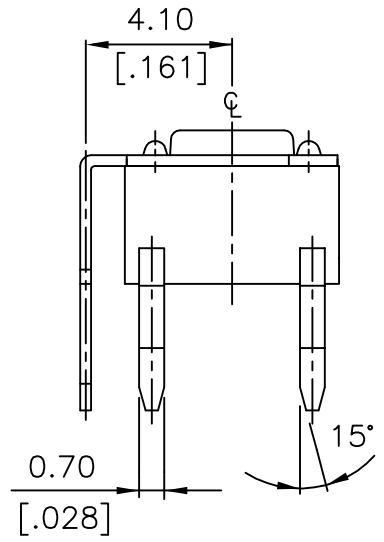


NOTE:

1. ALL DIMENSIONS ARE IN MILLIMETERS, BRACKETED DIMENSIONS ARE IN INCHES.
2. GENERAL TOLERANCES MAX.±0.20mm.
3. MATERIAL & □ : SEE PAGE 3 OF 3.



CIRCUIT DIAGRAM



P.C.B. LAYOUT

TSW66-DG130-160	13.0 [0.512]
TSW66-DG95-160	9.5 [0.374]
TSW66-DG70-160	△ 7.0 [0.275]
TSW66-DG50-160	5.0 [0.197]
TSW66-DG43-160	4.3 [0.169]
PROD.	NO.
	H



煜倫股份有限公司

PART NO. **TSW66-DGxxx-160**

DWG NO. **TSW66-DGxxx-160**

FILE NO.

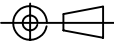
UNIT / mm

SCALE 1:1

CHECKED BY CY

DRAWING BY

PROJECTION



TOLERANCES ARE

- .X ± 0.2
- .XX ±
- .XXX ±
- AWG

DESCRIPTION:

**TACTILE SWITCH 6X6
(WITH GROUND TERMINAL)**

AREA

REVISIONS

HK

DATE