

P.C.B LAYOUT

CIRCUIT DIAGRAM

NOTE:

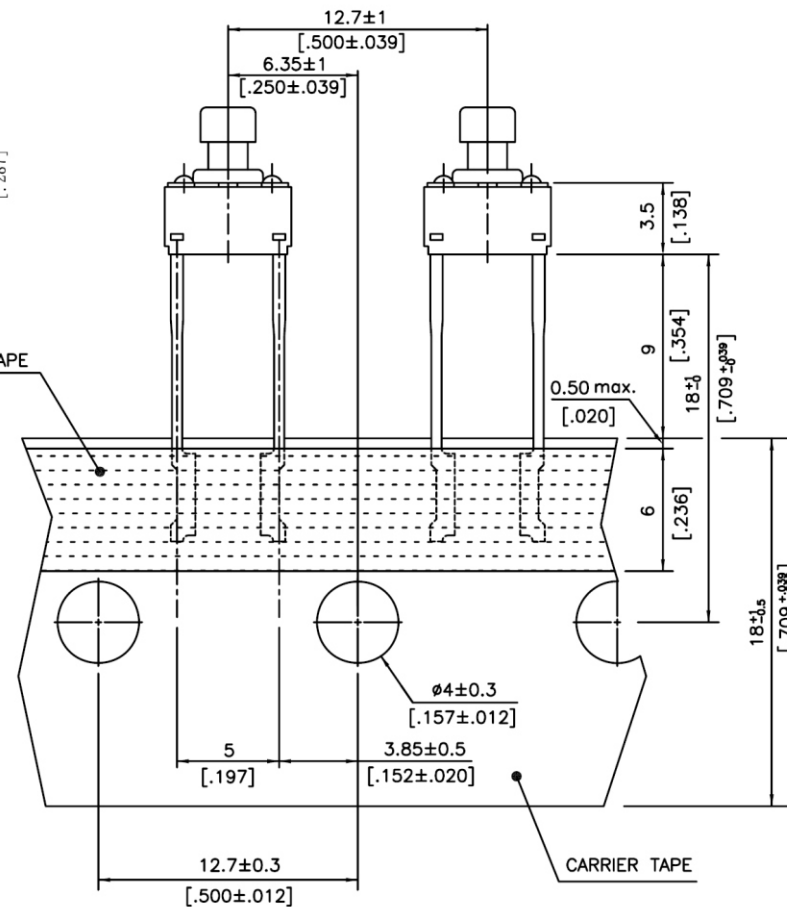
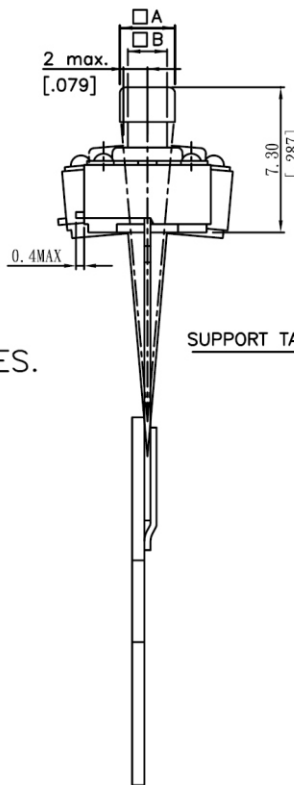
1. ALL DIMENSIONS ARE IN MILLIMETERS, BRACKETED DIMENSIONS ARE IN INCHES.
2. GENERAL TOLERANCES MAX.±0.20mm.

TSW66-D7324-xxx	□A	2.4	.095
TSW66-D7316-xxx	□B	1.6	.063
TSW66-D7328-xxx	□A	2.8	.11
TSW66-D7320-xxx	□B	2.0	.079
PROD. NO.	LOC.	MM.	INCH.

TSW66-Dxx-xxx-LF

100:100g BLACK LEADFREE
160:160g BROWN
260:260g RED

RoHS Compliant



MORETHANALL
CONNECTORS
ASSEMBLIES

PART NO. TSW66-D73xx-xxx

DWG NO. TSW66-D73xx-xxx CHECKED BY CY

FILE NO. DRAWING BY

UNIT / mm

SCALE 1:1

PROJECTION

TOLERANCES ARE

.X ± 0.2
.XX ±
.XXX ±
AWG

DESCRIPTION:

AREA

REVISIONS

HK

DATE

焯倫股份有限公司