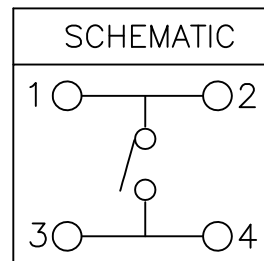


TABLE

FORCE:(gf)	
A	180gf \pm 50gf
B	280gf \pm 50gf



HOUSING: HI-TEMP. PLASTIC (UL 94V-0), NATURAL
 BUTTON : HI-TEMP. PLASTIC (UL 94V-0) OR COPPER ALLOY
 SHELL: STAINLESS STEEL
 SPRING: STAINLESS STEEL, SILVER PLATING
 FILM: POLYIMIDE
 TERMINAL: COPPER ALLOY, SILVER PLATING

RoHS Compliant

TOLERANCES ARE

MORETHANALL
 PCB CONNECTORS
 Cable ASSEMBLIES

煜倫股份有限公司

www.morethanall.com

DRAWING BY CY

CHECKED BY GENIUS

UNIT / mm SCALE 1 : 1

DATE

SIZE A4

X, \pm
 X, \pm
 .XX \pm
 .XXX \pm
 ANG \pm

PPOJECTION

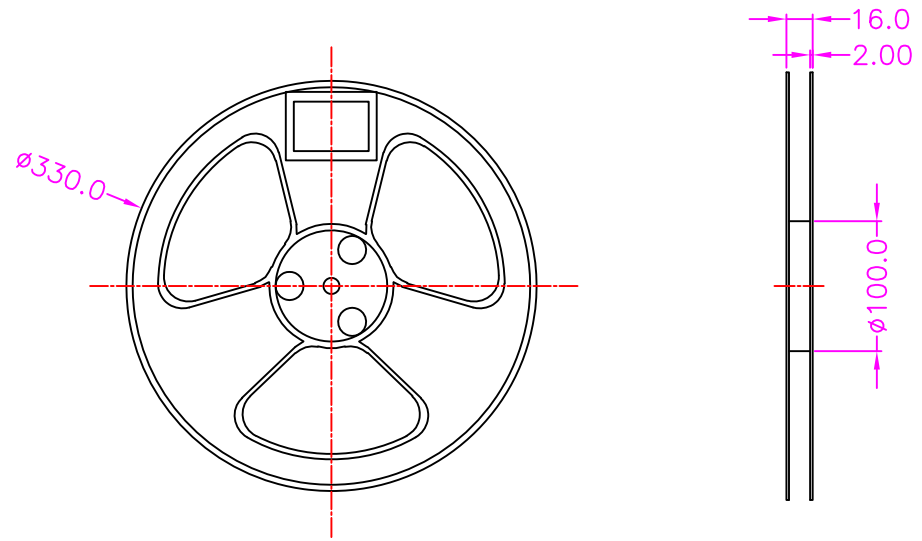
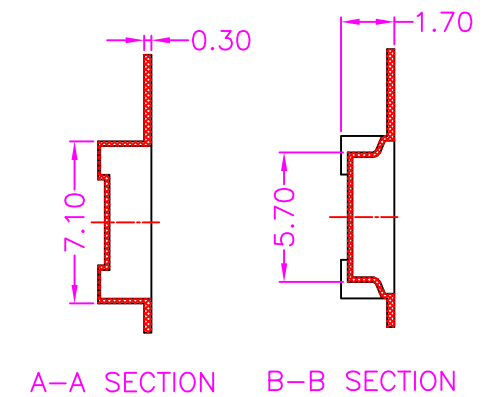
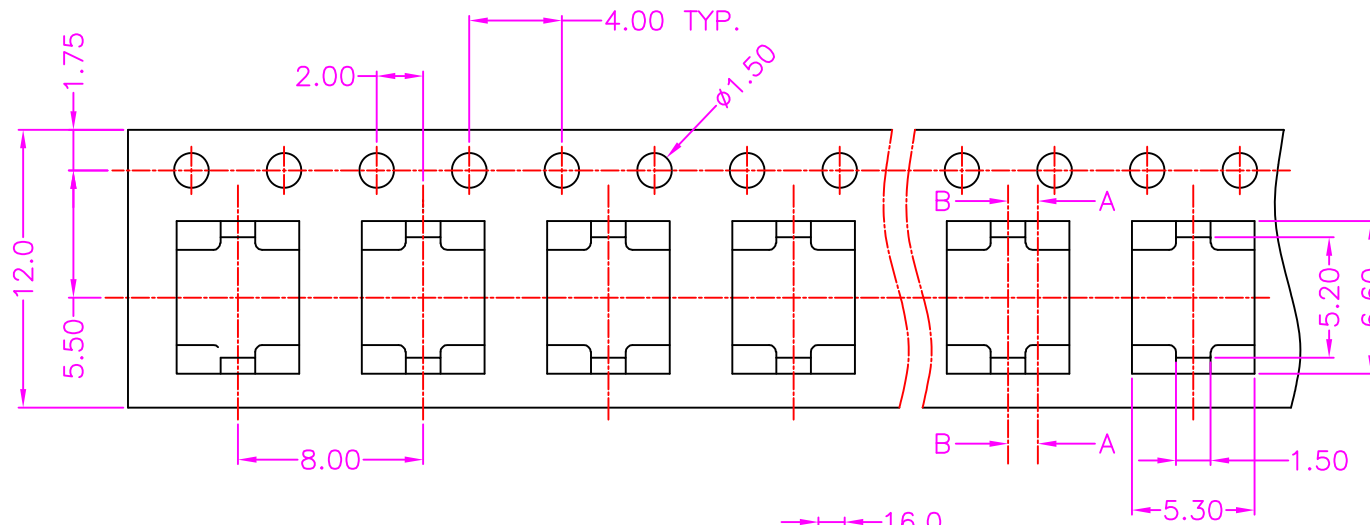
照片框

ORDER INFORMATION

TSW55-V15XR-xxx-LF

SERIES | | | | LEADFREE
 180:180g
 280:280g
 REEL
 180°SMT NON GROUND WIRE
 HIGH 1.5mm

DESCRIPTION: TACT SWITCH, PCB MOUNT, METAL SHIELD, SMT, H=1.50mm



NOTE: 4000PCS/ REEL

RoHS Compliant

TOLERANCES ARE



DRAWING BY CY

X. ±

CHECKED BY GENIUS

.X ±

UNIT / mm

SCALE 1 : 1

.XX ±

DATE

.XXX ±

ANG ±

煜倫股份有限公司

www.morethanall.com

SIZE A4

PPOJECTION



ORDER INFORMATION

TSW55-V15XR-xxx-LF

SERIES	LEADFREE
	180:180g
	280:280g
	REEL
180°SMT	NON GROUND WIRE
	HIGH 1.5mm

DESCRIPTION: TACT SWITCH, PCB MOUNT, METAL SHIELD, SMT, H=1.50mm